

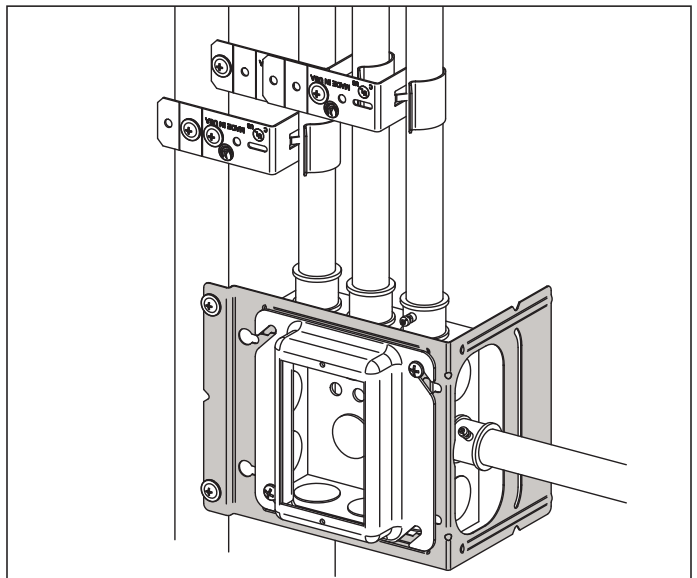
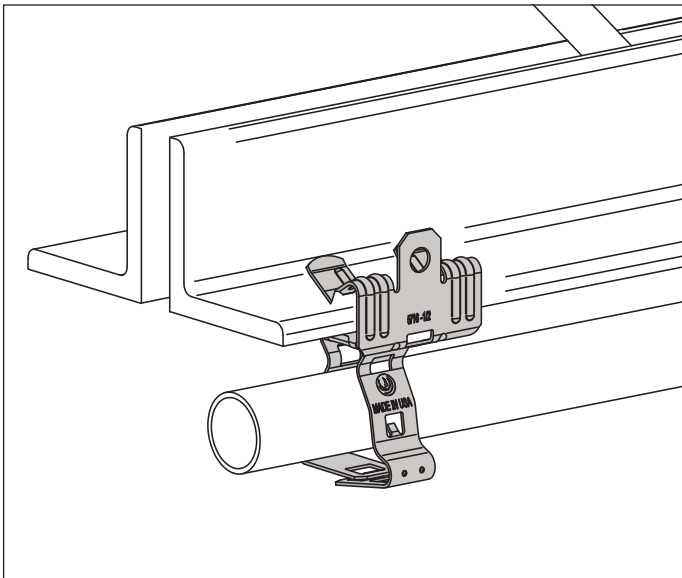
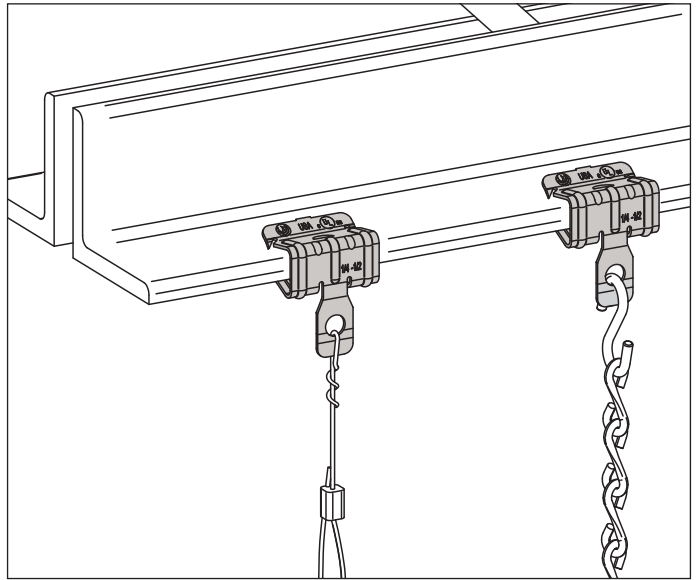
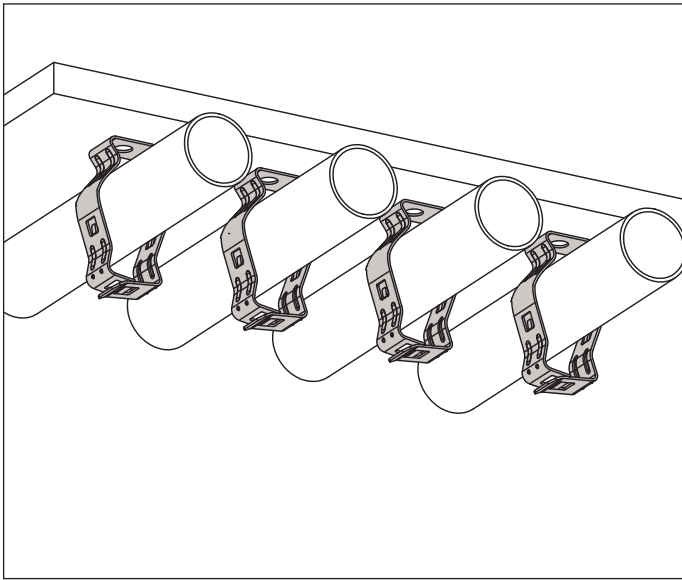


WESANCO

ZSI

SPRING STEEL

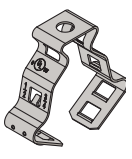
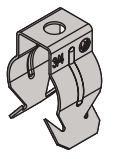

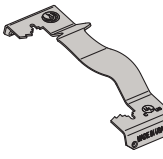
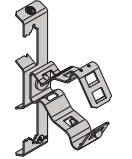
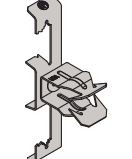
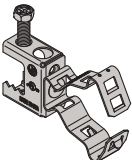
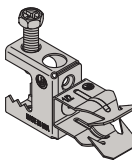
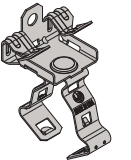
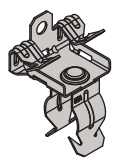
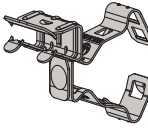
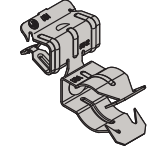
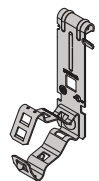
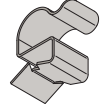
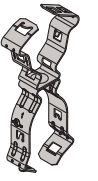
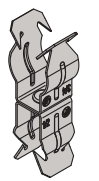

ELECTRICAL POSITIONING AND SUPPORT PRODUCTS

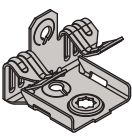
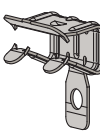
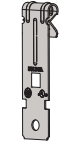
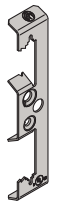
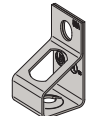
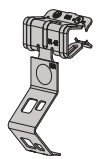
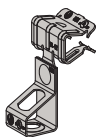

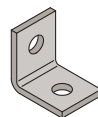
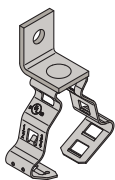
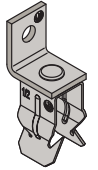
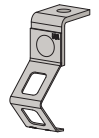


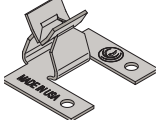
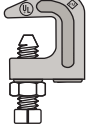
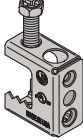
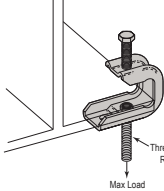
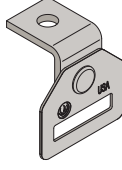
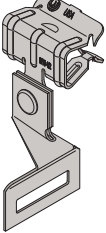
ZSIINC.COM | 800-323-7053

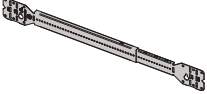
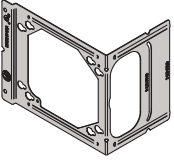
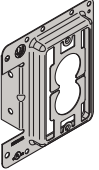

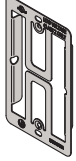

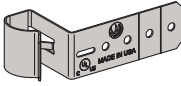
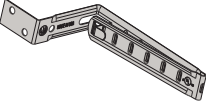
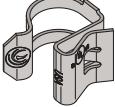

ZSi & Wesanco are part of the Ideal Tridon Group. Learn more at idealtridongroup.com

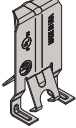
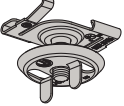
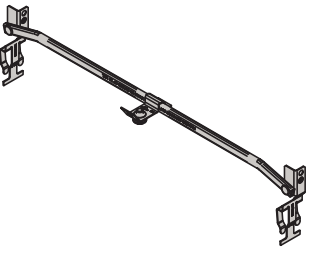
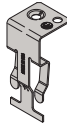
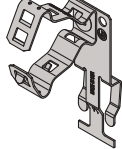
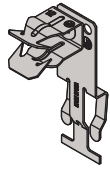


Conduit and Cable Support					
CC/CCT Conduit Clips  Page 4	CCP Conduit "Push In" Clips  Page 4	PCH Pipe and Conduit Hanger  Page 5	WC/WCBW Wing Clip Conduit Hanger  Page 5	MFC Multi-Function Clip with Assemblies  Page 6	MFCCCP Multi-Function Clip with Conduit "Push In" Clip  Page 6
BCC Beam Clamp with Conduit Clip  Page 6	BCL CCP Beam Clamp with Conduit "Push In" Clip  Page 7	FH C Flange Clip with Conduit Clip  Page 7	FH CCP Flange Clip with Conduit "Push In" Clip  Page 8	FHS C Flange Clip Side Mount with Conduit Clip  Page 8	FHS CCP Flange Clip Side Mount with Conduit "Push In" Clip  Page 9
FHV CC Flange Hanger with Conduit Clip  Page 9	CFC Conduit Clip to Flange  Page 9	CC CC Conduit Clip with Conduit Clip  Page 10	CCP CCP Conduit "Push In" Clip with Conduit "Push In" Clip  Page 10	BR Bridle Ring  Page 10	

Structural Attachment					
FCH Flange Clip  Page 11	FSM Flange Clip Side Mount  Page 11	FHV, FHZ Flange Hanger for Purlins and Bar Joists  Page 12	MFC Multi-Function Clip  Page 12	RHT & RHP Rod Hanger Thread Install & Push Install  Page 13	FH RHP Flange Clip Side Mount with Rod Hanger Push Install  Page 13
FH RHT Flange Clip Side Mount with Rod Hanger Thread Install  Page 14	FVZ RH & RT Flange Hanger with Rod Hanger Threaded Install & Push Install  Pages 14 - 15	AB Angle Bracket  Page 15	ABCC & NBCC Angle Bracket and Nail Bracket with Conduit Clip  Page 16	ABCCP, NBCCP Angle and Nail Bracket with Conduit "Push In" Clip  Page 16	ABR & ABR T Angle Bracket with Rod Hanger Threaded Install & Push Install  Page 17

Structural Attachment (cont.)					
PSP, FSM	Silver Claw	BCL	BC92	ABSHP	FHS SH
Pipe Sleeve Positioner	Beam Clamp	Beam Clamp	Light Duty Beam Clamp	Angle Bracket with Strap Hanger	Flange Clip Side Mount with Strap Hanger
					
Page 18	Page 18	Page 19	Page 19	Page 20	Page 20

Stud Wall Applications				
ZBA Z-Bracket	BBSM	LVMN	LVMS	LVMP
Adjustable Screw Gun Bracket for Wood or Metal Studs	Electrical Box Bracket for Wood or Metal Studs	Low Voltage Mounting Plate for New Construction	Low Voltage Mounting Plate with Screws	Low Voltage Mounting Plate for Existing Construction
				
Page 21	Page 21	Page 22	Page 22	Page 23
MSCCC, MSCCPC	CTS	CSSTS	CCMS	SDTSLP8X1/2
Metal Stud Clip with Conduit Clip & "Push In" Clip	Conduit Clip to Wood or Metal Stud	Cable Support Strap for Wood or Metal Studs	MC/AC Cable Clip to Metal Stud	Self Drilling and Tapping Screw
				
Page 23	Page 24	Page 24	Page 25	Page 25

Ceiling and Acoustical Applications					
SCT	TCB TCS	EBH	TBC	TB C	TBC SMCCP TMCCP
Support Clip for Troffer Lights & Lay-Ins	Twist Clip and Wing Nut	Electrical Box Hanger and Center Clip	T-Bar Clip	T-Bar Clip with Conduit Clip	T-Bar Clip with Conduit "Push In" Clip
					
Page 26	Page 26	Page 27	Page 27	Page 28	Page 28

Cross-Reference

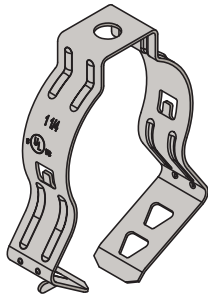
Caddy to Wesanco	29 - 31
B-Line to Wesanco	32 - 34
T&B to Wesanco	35 - 37
Minerallac to Wesanco	38 - 40

Material and Finishes	41
Model Number Index	42
Part Number Index	43

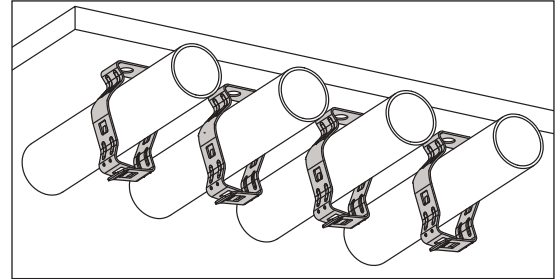


CC/CCT

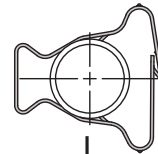
Conduit Clips



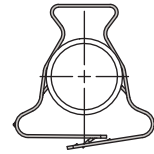
- For vertical or horizontal conduit and pipe applications.
- Threaded version can be used with 1/4"-20 threaded rods.
- **Material:** Spring Steel
- **Finish:** Silva-Guard



Part No.	Mounting Hole	Conduit Size
CC812	3/32" Thru Hole	1/2" or 3/4" EMT, Rigid
CCT812	1/4"-20 Thread Form	
CC16	3/32" Thru Hole	1" EMT, Rigid
CCT16	1/4"-20 Thread Form	
CC20	3/32" Thru Hole	1-1/4" EMT, Rigid
CCT20	1/4"-20 Thread Form	
CC24	3/32" Thru Hole	1-1/2" EMT, Rigid
CCT24	1/4"-20 Thread Form	
CC32	3/32" Thru Hole	2" EMT, Rigid
CCT32	1/4"-20 Thread Form	



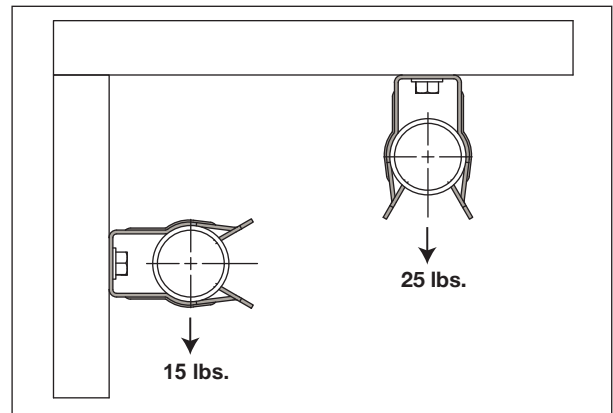
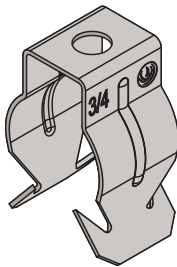
30 lbs



120 lbs

CCP

Conduit "Push In" Clips



15 lbs.

25 lbs.

- Eliminates need for conduit offset bending.
- For vertical or horizontal conduit and pipe applications.
- Simple Push-in design
- **Material:** Spring Steel
- **Finish:** Silva-Guard

Part No.	Mounting Hole	Conduit Size
CCP8	3/32" Thru Hole	1/2" EMT
CCP12		3/4" EMT, 1/2", Rigid
CCP16		1" EMT, 3/4" Rigid



Conduit and Cable Support

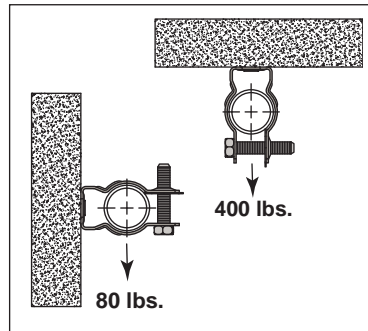
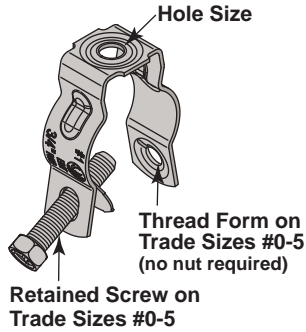


Standard Finish: Silva-Guard (SG)



PCH

Pipe and Conduit Hanger



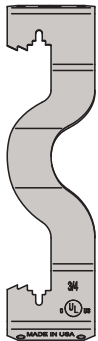
Part No.	Trade Size	Conduit Size		Hole Size
		EMT	Rigid	
PCH0	0	1/2"	3/8", 1/2"	1/4"
PCH1	1	3/4"	3/4"	1/4"
PCH2	2	1"	1"	1/4"
PCH2.5	2.5	1-1/4"	-	1/4"
PCH3	3	1-1/2"	1-1/4"	1/4"
PCH4	4	-	1-1/2"	5/16"
PCH5	5	2"	2"	5/16"
PCH6 *	6	2-1/2"	2-1/2"	5/16"
PCH7 *	7	3"	3"	5/16"
PCH8 *	8	3-1/2"	3-1/2"	5/16"
PCH9 *	9	4"	4"	5/16"

* EG finish and pan head, hex nut hardware.

- PCH #0-5 come with retained combo head screw and thread form.
- Combo head screw allows Robertson, Phillips, Slotted and Hex drivers.
- Supports vertical and horizontal installations of 3/8"-4" Pipe and Conduit.
- 1/4"-20 Thread Form Hole Size available. Add suffix TF to Catalog Number.
- Also available in 304 and 316 Stainless Steel.
- **Material:** Steel
- **Finish:** Pregalvanized

WC/WCBW

Wing Clip Conduit Hanger



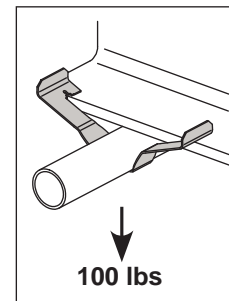
Conduit Size	#12 & #10 Wire	#9 & #8 Wire	3/16" & 1/4" Rod	1/8" Thru 1/4" Flange	5/16" Thru 3/8" Flange	7/16" Thru 1/2" Flange
1/2" EMT	WC8	WC8	WC8	WC8	WC12	WC12
1/2" RIGID		WC12	WC12	WC12		WC16
3/4" EMT	WC12			WC16	WC16	WC20
3/4" RIGID		WC16				
1" EMT	-	WC16	WC16	WC20	WC20	-
1" RIGID	-	-	-			
1-1/4" EMT	-	WC20	WC20	-	-	-

WC clip shown

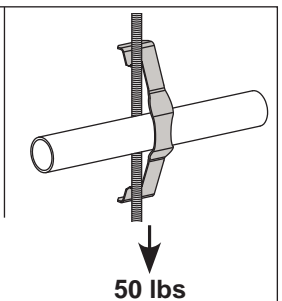
MC/AC Cable Size	#12, #10, #9 & #8 Wire
14 - 2 (.433-.475 O.D.)	WCBW
14 - 3 (.453-.500 O.D.)	WCBW
12 - 2 (.467-.475 O.D.)	WCBW
12 - 3 (.489-.535 O.D.)	WCBW
WCBW For Position Only	

- Supports conduit and pipe to a rod, wire, or flange.
- No installation tools required.
- Box Qty 100 for all sizes.
- **Material:** Spring Steel
- **Finish:** Silva-Guard

Flange Installation

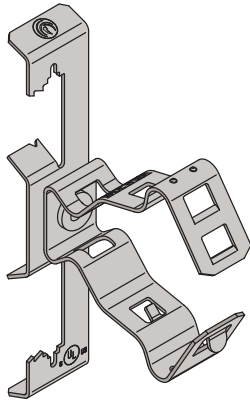


Wire or Rod Installation

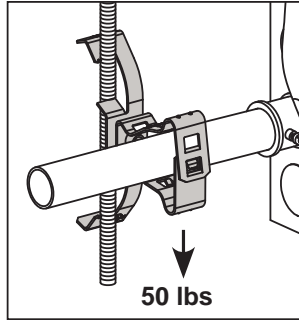


MFC

Multi-Function Clip with Assemblies



Wire or Rod Installation

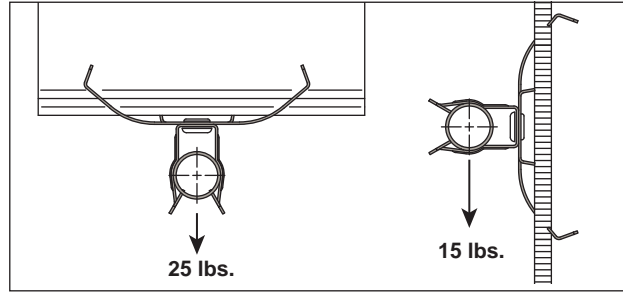
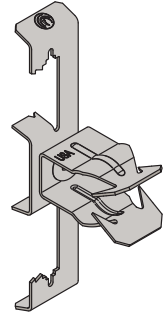


- Supports conduit and pipe to a rod, wire or flange.
- No tools required. Easy adjustment after installation.
- **Material:** Spring Steel
- **Finish:** Silva-Guard

Part No.	Flange Size	Threaded Rod Size	Conduit Size or Threads
MFC812	1/8" - 3/8"	1/4" Threaded Rod	1/2" EMT, Rigid
MFC16			3/4" EMT, Rigid
			1" EMT, Rigid

MFCCCP

Multi-Function Clip with Conduit "Push In" Clip

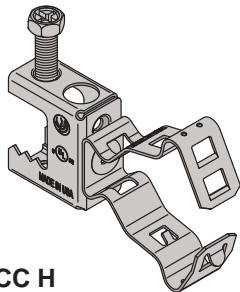


- No tools required for installation of conduit.
- Supports conduit to a rod, wire or flange.
- **Material:** Spring Steel
- **Finish:** Silva-Guard

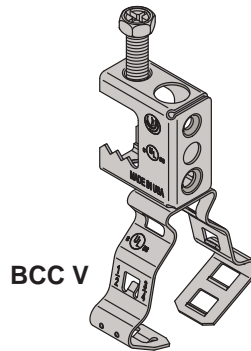
Part No.	Flange Size	Wire or Rod Size	Conduit Size
MFCCCP8	1/8" - 3/8"	#12 - 1/4" wire or rod with or without Threads	1/2" EMT
MFCCCP12			3/4" EMT, 1/2" Rigid
MFCCCP16			1" EMT, 3/4" Rigid

BCC

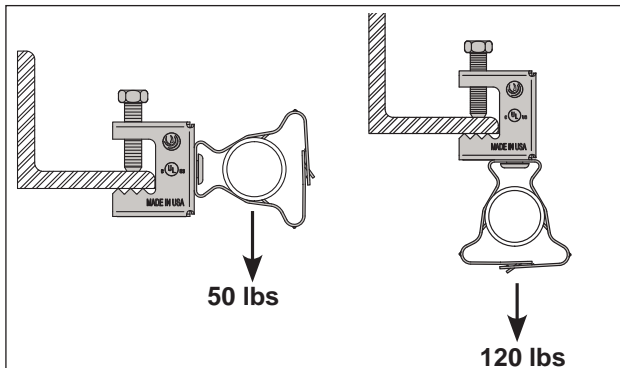
Beam Clamp with Conduit Clip



BCC H



BCC V



Part No.	Conduit Size
BCC812HM	1/2" & 3/4" EMT, Rigid
BCC16HM	1" EMT, Rigid
BCC20HM	1-1/4" EMT, Rigid
BCC24HM	1-1/2" EMT, Rigid
BCC32HM	2" EMT, Rigid
BCC812VM	1/2" & 3/4" EMT, Rigid
BCC16VM	1" EMT, Rigid
BCC20CM	1-1/4" EMT, Rigid
BCC24VM	1-1/2" EMT, Rigid
BCC32VM	2" EMT, Rigid

- Eliminates offset bending of conduit.
- For installation on 1/2" maximum flanges.
- Included combo head screw allows Robertson, Phillips/Slotted and Hex drivers.
- Conduit clip rotates 360 degrees.
- For support of conduit per NEC 344.30(B).
- **Material:** Spring Steel
- **Finish:** Silva-Guard



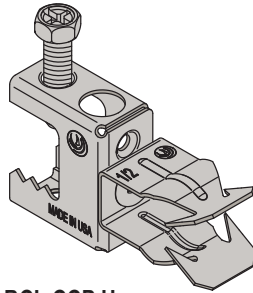
Conduit and Cable Support



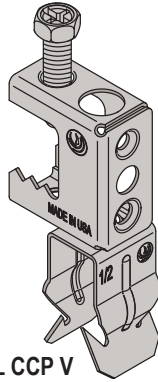
Standard Finish: Silva-Guard (SG)

BCL CCP

Beam Clamp with Conduit "Push In" Clip

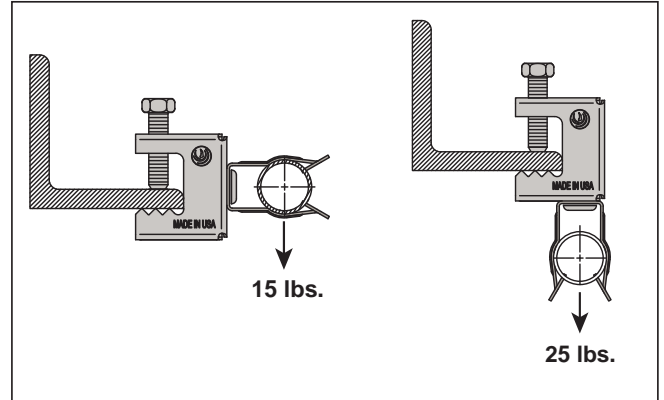


BCL CCP H



BCL CCP V

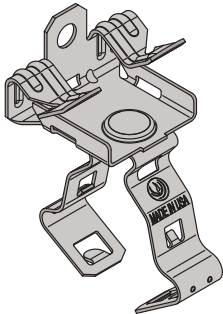
- Eliminates offset bending of conduit.
- For installation on 1/2" maximum flanges.
- Included combo head screw allows Robertson, Phillips/Slotted and Hex drivers.
- Conduit clip rotates 360 degrees.
- **Material:** Spring Steel
- **Finish:** Silva-Guard



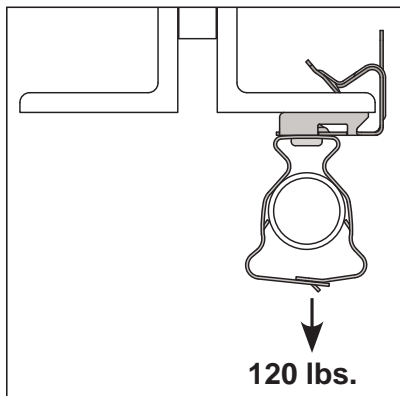
Part No.	Conduit Size
BCLCCP8HM	1/2" EMT
BCLCCP12HM	3/4" EMT, 1/2" Rigid
BCLCCP16HM	1" EMT, 3/4" Rigid
BCLCCP8VM	1/2" EMT
BCLCCP12VM	3/4" EMT, 1/2" Rigid
BCLCCP16VM	1" EMT, 3/4" Rigid

FH C

Flange Clip with Conduit Clip



- Supports pipe and conduit from beam flanges.
- Conduit clip rotates 360 degrees.
- Flange thickness range stamped on part.
- Only a hammer required for installation.
- **Material:** Spring Steel
- **Finish:** Silva-Guard

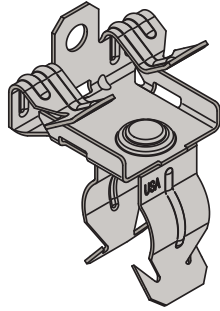


Part No.	Min. - Max. Flange Thickness	Conduit Size
FH24CC812	1/8" - 1/4" (3mm - 6mm)	1/2" & 3/4" EMT, Rigid
FH58CC812	5/16" - 1/2" (8mm - 13mm)	
FH912CC812	9/16" - 3/4" (14mm - 19mm)	
FH24CC16	1/8" - 1/4" (3mm - 6mm)	1" EMT, Rigid
FH58CC16	5/16" - 1/2" (8mm - 13mm)	
FH912CC16	9/16" - 3/4" (14mm - 19mm)	
FH23CC20	1/8" - 1/4" (3mm - 6mm)	1-1/4" EMT, Rigid
FH58CC20	5/16" - 1/2" (8mm - 13mm)	
FH912CC20	9/16" - 3/4" (14mm - 19mm)	
FH24CC24	1/8" - 1/4" (3mm - 6mm)	1-1/2" EMT, Rigid
FH58CC24	5/16" - 1/2" (8mm - 13mm)	
FH912CC24	9/16" - 3/4" (14mm - 19mm)	
FH24CC32	1/8" - 1/4" (3mm - 6mm)	2" EMT, Rigid
FH58CC32	5/16" - 1/2" (8mm - 13mm)	
FH912CC32	9/16" - 3/4" (14mm - 19mm)	

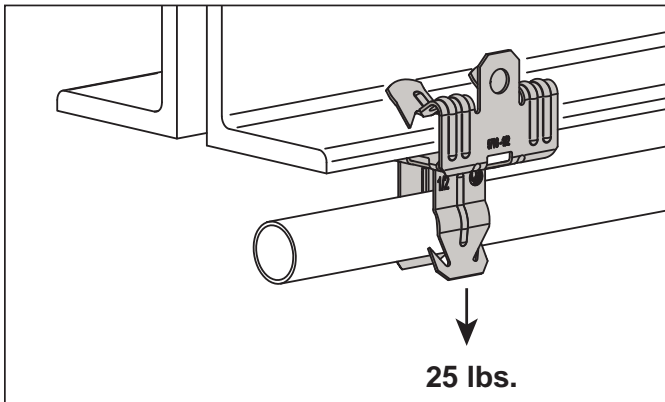


FH CCP

Flange Clip with
Conduit "Push In" Clip



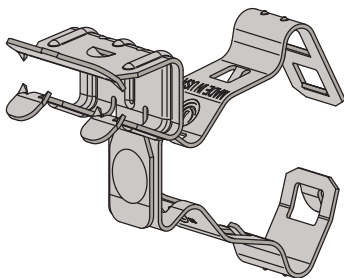
- Supports conduit from beam flanges.
- Conduit clip rotates 360 degrees.
- Flange thickness range stamped on part.
- Only a hammer required for installation.
- **Material:** Spring Steel
- **Finish:** Silva-Guard



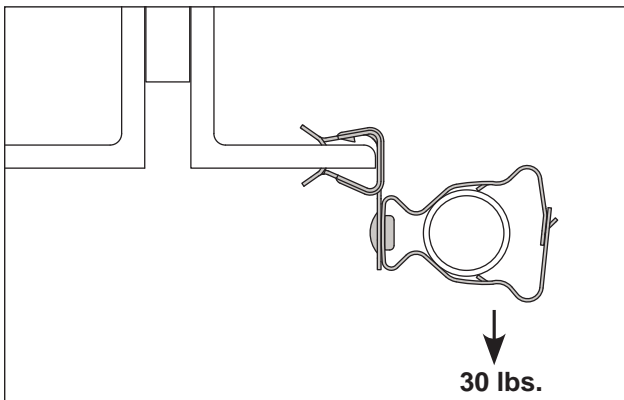
Part No.	Min. - Max. Flange Thickness	Conduit Size
FH24CCP8	1/8" - 1/4" (3mm - 6mm)	1/2" EMT
FH58CCP8	5/16" - 1/2" (8mm - 13mm)	
FH912CCP8	9/16" - 3/4" (14mm - 19mm)	
FH24CCP12	1/8" - 1/4" (3mm - 6mm)	3/4" EMT, 1/2" Rigid
FH58CCP12	5/16" - 1/2" (8mm - 13mm)	
FH912CCP12	9/16" - 3/4" (14mm - 19mm)	
FH24CCP16	1/8" - 1/4" (3mm - 6mm)	1" EMT, 3/4" Rigid
FH58CCP16	5/16" - 1/2" (8mm - 13mm)	
FH912CCP16	9/16" - 3/4" (14mm - 19mm)	

FHS C

Flange Clip Side Mount with Conduit Clip



- Supports pipe and conduit from beam flanges.
- Flange thickness range stamped on part.
- Only a hammer required for installation.
- **Material:** Spring Steel
- **Finish:** Silva-Guard



Part No.	Min. - Max. Flange Thickness	Conduit Size
FHS24CC812	1/8" - 1/4" (3mm - 6mm)	1/2" & 3/4" EMT, Rigid
FHS58CC812	5/16" - 1/2" (8mm - 13mm)	
FHS912CC812	9/16" - 3/4" (14mm - 19mm)	
FHS24CC16	1/8" - 1/4" (3mm - 6mm)	1" EMT, Rigid
FHS58CC16	5/16" - 1/2" (8mm - 13mm)	
FHS912CC16	9/16" - 3/4" (14mm - 19mm)	
FHS24CC20	1/8" - 1/4" (3mm - 6mm)	1-1/4" EMT, Rigid
FHS58CC20	5/16" - 1/2" (8mm - 13mm)	
FHS912CC20	9/16" - 3/4" (14mm - 19mm)	
FHS24CC24	1/8" - 1/4" (3mm - 6mm)	1-1/2" EMT, Rigid
FHS58CC24	5/16" - 1/2" (8mm - 13mm)	
FHS912CC24	9/16" - 3/4" (14mm - 19mm)	
FHS24CC32	1/8" - 1/4" (3mm - 6mm)	2" EMT, Rigid
FHS58CC32	5/16" - 1/2" (8mm - 13mm)	
FHS912CC32	9/16" - 3/4" (14mm - 19mm)	



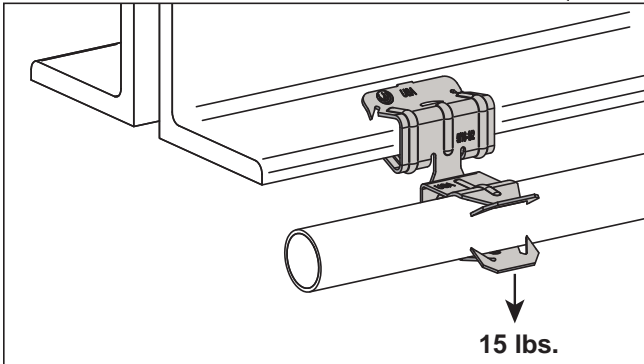
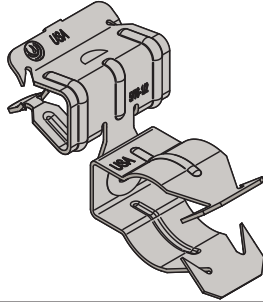
Conduit and Cable Support



Standard Finish: Silva-Guard (SG)

FHS CCP

Flange Clip Side Mount
with Conduit "Push In" Clip

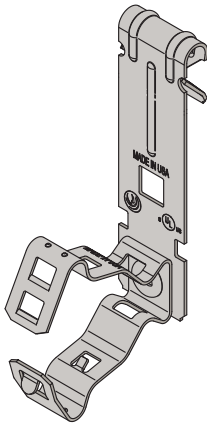


- Supports conduit from beam flanges.
- Flange thickness range stamped on part.
- Only a hammer required for installation.
- **Material:** Spring Steel
- **Finish:** Silva-Guard

Part No.	Min. - Max. Flange Thickness	Conduit Size
FHS24CCP8	1/8" - 1/4" (3mm - 6mm)	1/2" EMT
FHS58CCP8	5/16" - 1/2" (8mm - 13mm)	
FHS912CCP8	9/16" - 3/4" (14mm - 19mm)	
FHS24CCP12	1/8" - 1/4" (3mm - 6mm)	3/4" EMT, 1/2" Rigid
FHS58CCP12	5/16" - 1/2" (8mm - 13mm)	
FHS912CCP12	9/16" - 3/4" (14mm - 19mm)	
FHS24CCP16	1/8" - 1/4" (3mm - 6mm)	1" EMT, 3/4" Rigid
FHS58CCP16	5/16" - 1/2" (8mm - 13mm)	
FHS912CCP16	9/16" - 3/4" (14mm - 19mm)	

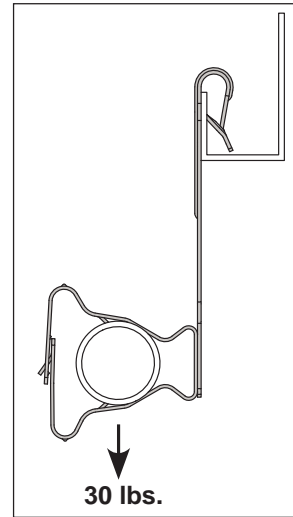
FHV CC

Flange Hanger with Conduit Clip



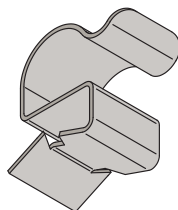
- Supports pipe and conduit from bar joist's and "C" purlin's.
- Compatible with many industry standard installation tools.
- 1/16" - 1/4" flange thickness range.
- **Material:** Spring Steel
- **Finish:** Silva-Guard

Part No.	Min. - Max. Flange Thickness	Conduit Size
FHV3CC812	1/16" - 1/4"	1/2" & 3/4" EMT, Rigid
FHV3CC16	1/16" - 1/4"	1" EMT, Rigid

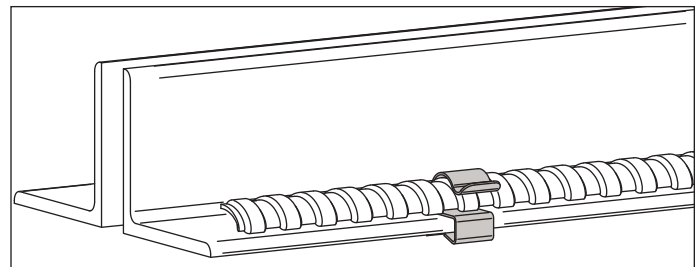


CFC

Conduit Clip to Flange



Part No.	Flange Thickness	Cable O.D.
CFC2D	1/16" - 3/16"	0.46 - 0.56
CFC4D	3/16" - 9/32"	0.46 - 0.56
CFC4E		0.50 - 0.72
CFC8D	5/16" - 1/2"	0.46 - 0.56
CFC8E		0.50 - 0.72



- Supports flexible conduit and cable from flanges.
- Simple Push-in clip design.
- **Material:** Steel
- **Finish:** Electro-Galvanized



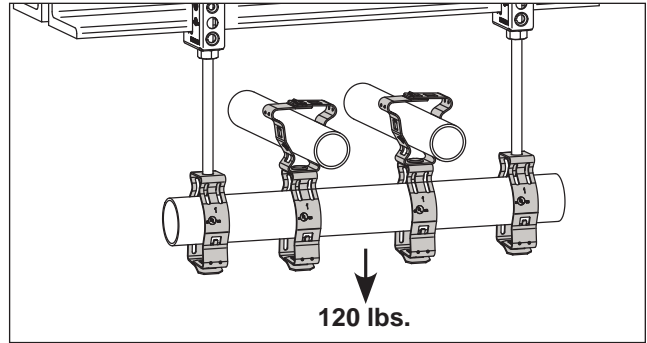
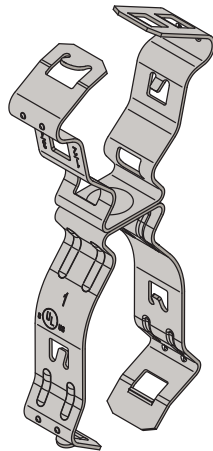
Standard Finish: Silva-Guard (SG)

CC CC

Conduit Clip
with Conduit Clip



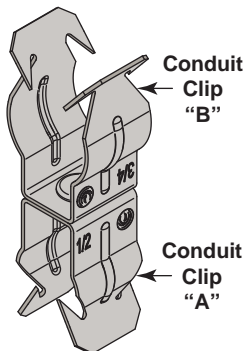
- No screws or bolts required.
- For lightweight trapeze systems.
- Conduit clip rotates 360 degrees.
- **Material:** Spring Steel
- **Finish:** Silva-Guard



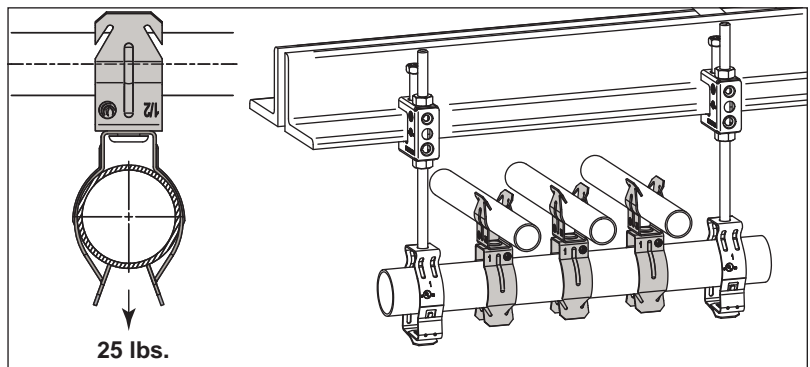
Part No.	Conduit Clip
CC16CC812	1/2" or 3/4" EMT, Rigid
CC16CC16	1" EMT, Rigid
CC16CC20	1-1/4" EMT, Rigid
CC16CC24	1-1/2" EMT, Rigid
CC16CC32	2" EMT, Rigid

CCP CCP

Conduit "Push In" Clip with Conduit "Push In" Clip



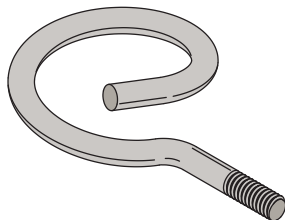
- No tools required for conduit installation.
- For lightweight trapeze systems.
- Conduit clips rotate 360 degrees.
- **Material:** Spring Steel
- **Finish:** Silva-Guard



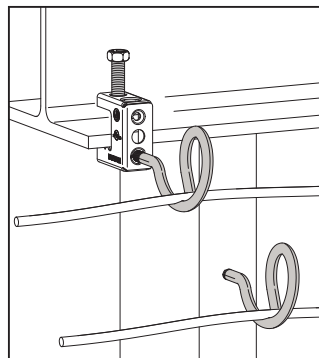
Part No.	Conduit Clip "A"	Conduit Clip "B"
CCP8CCP8	1/2" EMT	1/2" EMT
CCP8CCP12		3/4" EMT, 1/2" Rigid
CCP8CCP16		1" EMT, 3/4" Rigid
CCP12CCP12	3/4" EMT, 1/2" Rigid	3/4" EMT, 1/2" Rigid
CCP12CCP16		1" EMT, 3/4" Rigid
CCP16CCP16	1" EMT, 3/4" Rigid	1" EMT, 3/4" Rigid

BR

Bridle Ring



- Supports low voltage communication cable.
- Compatible with many other fasteners for support from purlin, T-grid, drop wire, and beam flanges.
- **Material:** Steel
- **Finish:** Electro-galvanized



Part No.	Ring Size I.D.	Thread Size
BR1012	3/4"	#10-24
BR1020		#10-24
BR2520	1-1/4"	1/4"-20
BR2520WS		1/4" Wood Screw
BR1032	2"	#10-24
BR2532		1/4"-20
BR2532WS		1/4" Wood Screw



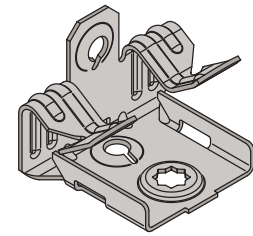
Structural Attachment



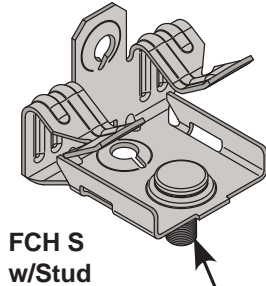
Standard Finish: Silva-Guard (SG)

FCH

Flange Clip



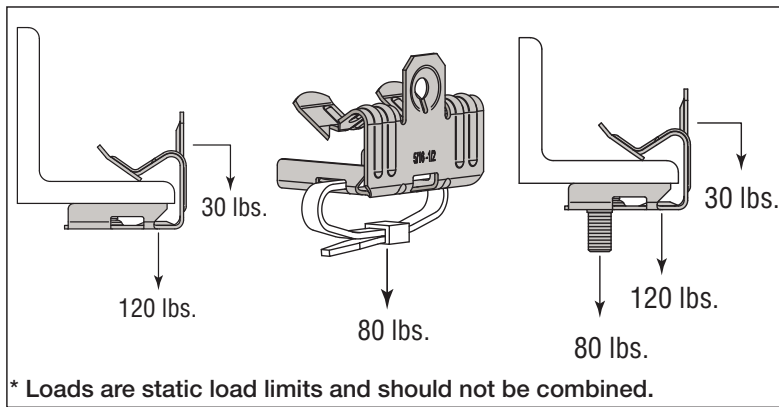
FCH



FCH S
w/Stud

1/4"-20 x
3/8" Stud

- Multi use beam clamp used to support threaded rod, electrical boxes, and bridal rings from beam flanges.
- Beam clamp with stud is for supporting electrical boxes from beam flanges.
- Punched holes provided for zip tie applications.
- 1/4"-20 thread forms permit threaded rod applications.
- Only a hammer required for installation.
- **Material:** Spring Steel
- **Finish:** Silva-Guard

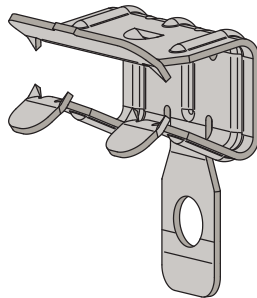
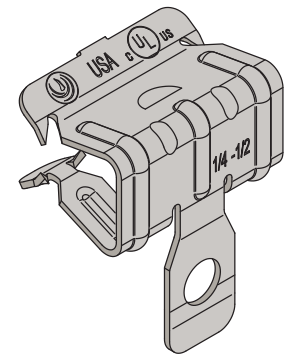


* Loads are static load limits and should not be combined.

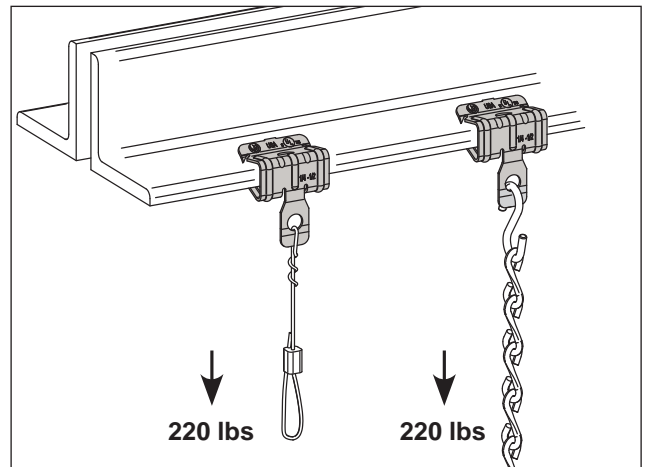
Part No.	Flange Thickness
FCH24	1/8" - 1/4" (3mm - 6mm)
FCH58	5/16" - 1/2" (8mm - 13mm)
FCH912	9/16" - 3/4" (14mm - 19mm)
FCH24S	1/8" - 1/4" (3mm - 6mm)
FCH58S	5/16" - 1/2" (8mm - 13mm)
FCH912S	9/16" - 3/4" (14mm - 19mm)

FSM

Flange Clip Side Mount



Part No.	Flange Thickness	Hole Size
FSM24	1/8" - 1/4" (3mm - 6mm)	9/32" (7.1mm)
FSM58	5/16" - 1/2" (8mm - 13mm)	
FSM912	9/16" - 3/4" (14mm - 19mm)	

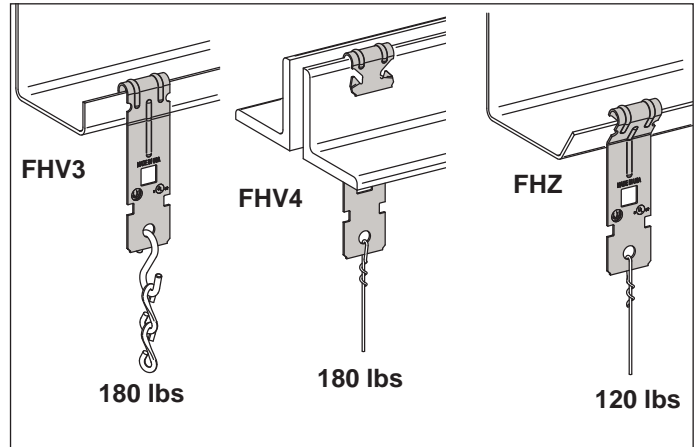
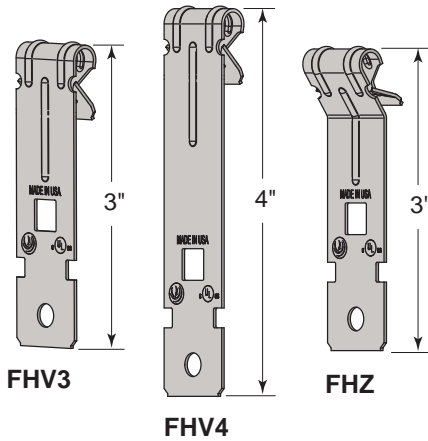


- Beam clamp with hole for supporting tie wire and jack chain to beam flanges.
- Only a hammer required for installation.
- **Material:** Spring Steel
- **Finish:** Silva-Guard



FVZ, FHZ

Flange Hanger for Purlins and Bar Joists

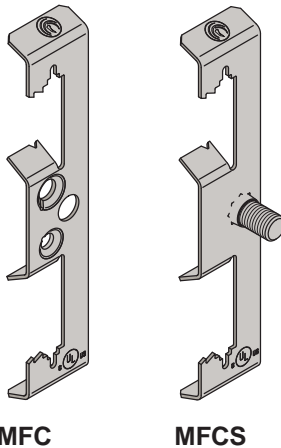


- **FHV3:** Flange clip with hole for supporting tie wire and jack chain to bar joist's and "C" purlin's.
- **FHV4:** Extra long flange clip with hole for supporting tie wire and jack chain to tall bar joist's and "C" purlin's.
- **FHZ:** Angled flange clip with hole for supporting tie wire and jack chain to "Z" purlin's.
- Compatible with many industry standard installation tools.
- **Material:** Spring Steel
- **Finish:** Silva-Guard

Part No.	Min. - Max. Flange Thickness	Hole Size
FHV3	1/16" - 1/4" (2mm - 6mm)	9/32" (7.1mm)
FHV4		
FHZ		

MFC

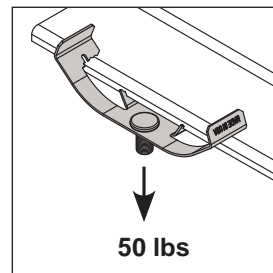
Multi-Function Clip



Part No.	Flange Size	Threaded Rod Size	Conduit Size or Threads
MFC	1/8" - 3/8"	1/4" Threaded Rod	9/32" - hole, 1/4" - 20 and 10-24 thread form
MFCS	1/8" - 3/8"	1/4" Threaded Rod	1/4" - 20 staked stud with nut (UL listed box support)

- **MFC:** Supports #10-24 and 1/4"-20 bridal rings to rod and wire.
- **MFCS:** Supports electrical boxes to rod and wire.
- No tools required. Easy adjustment after installation.
- **Material:** Spring Steel
- **Finish:** Silva-Guard

Flange Installation



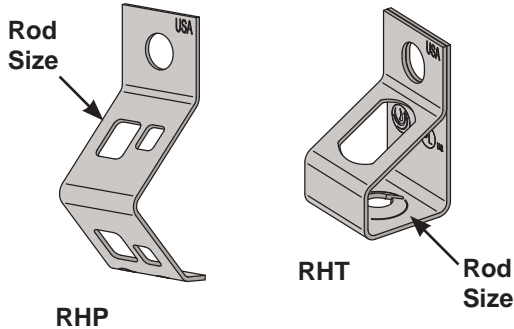
Structural Attachment



Standard Finish: Silva-Guard (SG)

RHP RHT

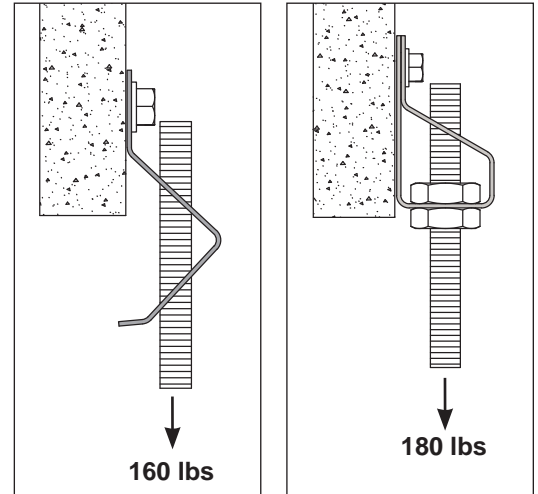
Rod Hanger Push Install or Rod Hanger Thread Install



- RHP: Suspends plain and threaded rod from vertical surfaces, and provides easy adjustment of rod after installation.
- RHT: Suspends threaded rod from vertical surfaces.
- Material: Spring Steel
- Finish: Silva-Guard

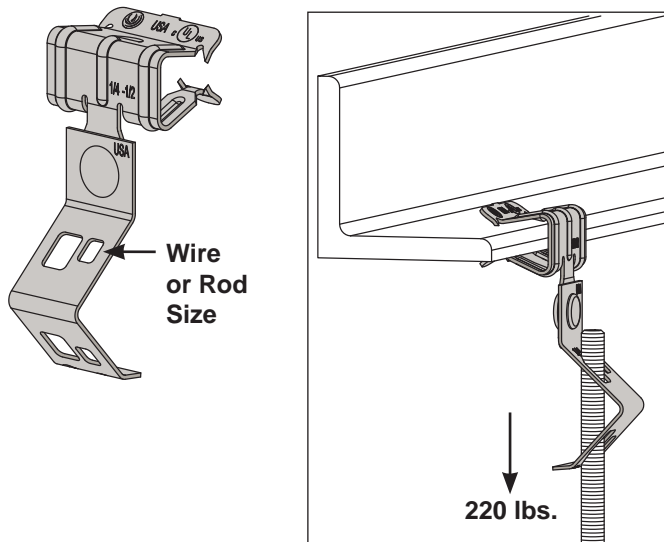
Part No.	Rod Size
RHP4	#8 Wire or 1/4" Plain or Threaded Rod
RHP6	3/8" Plain or Threaded Rod
RHT4T	1/4" - 20 Thread Form
RHT6T	3/8" - 16 Thread Form
RHT6 *	13/32" Thru Hole for 1/4" or 3/8" Threaded Rod

* Nuts sold separately



FH RHP

Flange Clip Side Mount with Rod Hanger Push Install



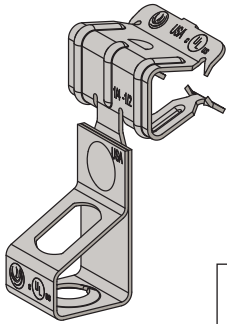
- Suspends plain and threaded rod from beam flanges.
- Easy adjustment of rod after installation.
- Flange thickness range stamped on part.
- Only a hammer required for installation.
- Material: Spring Steel
- Finish: Silva-Guard

Part No.	Minimum - Maximum Flange Thickness	Wire/ Rod Size
FH24RHP4	1/8" - 1/4" (3mm - 6mm)	#8 Wire or 1/4" Rod
FH58RHP4	5/16" - 1/2" (8mm - 13mm)	
FH912RHP4	9/16" - 3/4" (14mm - 19mm)	
FH24RHP6	1/8" - 1/4" (3mm - 6mm)	3/8" Rod
FH58RHP6	5/16" - 1/2" (8mm - 13mm)	
FH912RHP6	9/16" - 3/4" (14mm - 19mm)	

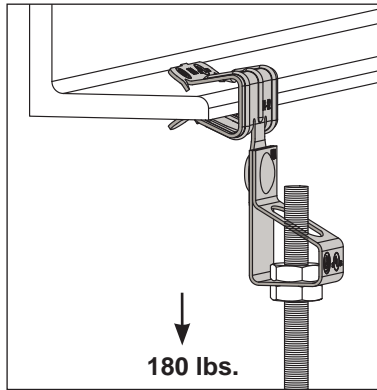


FH RHT

Flange Clip Side Mount with Rod Hanger Thread Install



- Suspends threaded rod from beam flanges.
- Flange thickness range stamped on part.
- **Material:** Spring Steel
- **Finish:** Silva-Guard

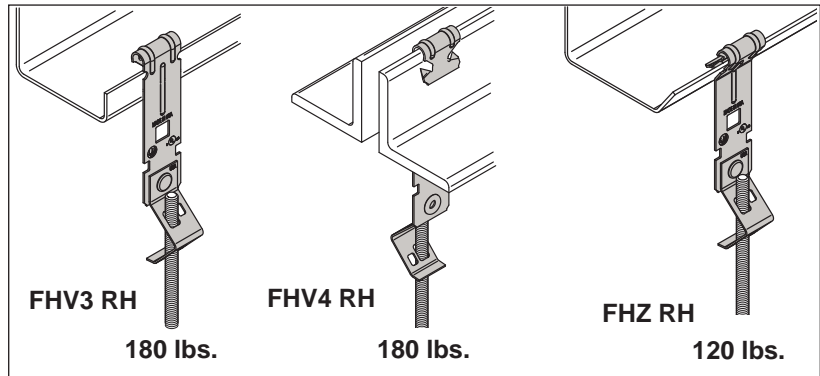
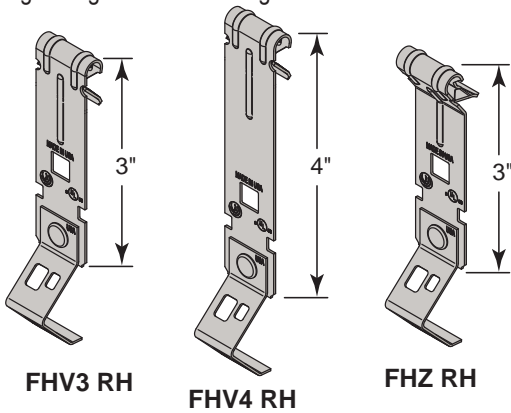


Part No.	Min. - Max. Flange Thickness	Hole Size
FH24RH4T	1/8" - 1/4" (3mm - 6mm)	1/4" - 20 Thread Form
FH58RH4T	5/16" - 1/2" (8mm - 13mm)	
FH912RH4T	9/16" - 3/4" (14mm - 19mm)	
FH24RH6T	1/8" - 1/4" (3mm - 6mm)	3/8" - 16 Thread Form
FH58RH6T	5/16" - 1/2" (8mm - 13mm)	
FH912RH6T	9/16" - 3/4" (14mm - 19mm)	
FH24RH6 *	1/8" - 1/4" (3mm - 6mm)	13/32" thru hole for 1/4" or 3/8" Threaded Rod
FH58RH6 *	5/16" - 1/2" (8mm - 13mm)	
FH912RH6 *	9/16" - 3/4" (14mm - 19mm)	

* 2 nuts required (sold separately)

FVZ RH

Flange hanger with Rod Hanger Push Install



- **FHV3:** Suspends plain and threaded rod from bar joist's and "C" purlin's.
- **FHV4:** Extra long clip suspends plain and threaded rod from bar joist's.
- **FHZ:** Angled clip suspends plain and threaded rod from "Z" purlin's.
- Easy adjustment of rod after installation.
- Compatible with many industry standard installation tools.
- **Material:** Spring Steel
- **Finish:** Silva-Guard

Part No.	Wire / Rod Size	Min. - Max. Flange Thickness
FHV3RH4	#8 Wire or 1/4" Plain or Threaded Rod	1/16" - 1/4"
FHV3RH6	3/8" Plain or Threaded Rod	
FHV4RH4	#8 Wire or 1/4" Plain or Threaded Rod	1/16" - 1/4"
FHV4RH6	3/8" Plain or Threaded Rod	
FHZRH4	#8 Wire or 1/4" Plain or Threaded Rod	1/16" - 1/4"
FHZRH6	3/8" Plain or Threaded Rod	



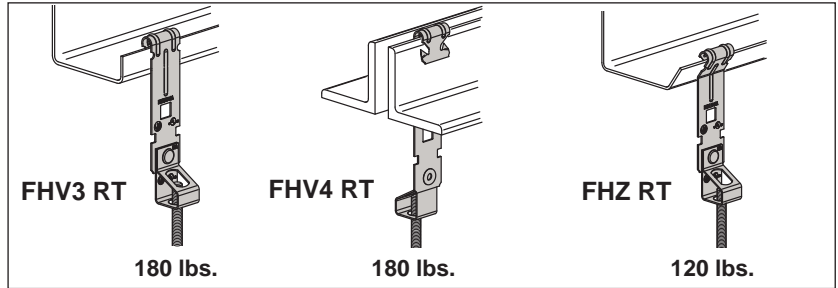
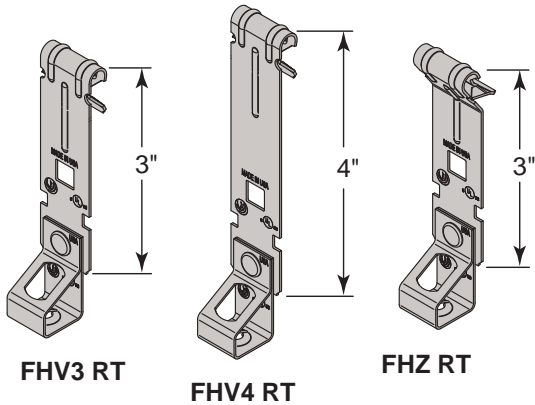
Structural Attachment



Standard Finish: Silva-Guard (SG)

FVZ RT

Flange Hanger with Rod Hanger Threaded Install



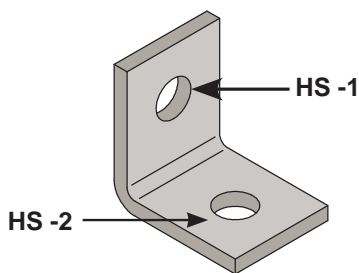
- **FHV3 RT:** Suspends threaded rod from bar joist's and "C" purlin's.
- **FHV4 RT:** Extra long clip suspends threaded rod from bar joist's.
- **FHZ RT:** Angled clip suspends threaded rod from "Z" purlin's.
- Compatible with many industry standard installation tools.
- **Material:** Spring Steel
- **Finish:** Silva-Guard

Part No.	Rod Size	Min. - Max. Flange Thickness
FHV3RH4T	1/4"-20 Thread Form	1/16" - 1/4"
FHV3RH6T	3/8"-16 Thread Form	
FHV3RH6 *	1 3/32" Thru Hole for 1/4" or 3/8" Threaded Rod	1/16" - 1/4"
FHV4RH4T	1/4"-20 Thread Form	
FHV4RH6T	3/8"-16 Thread Form	1/16" - 1/4"
FHV4RH6 *	1 3/32" Thru Hole for 1/4" or 3/8" Threaded Rod	
FHZRH4T	1/4"-20 Thread Form	1/16" - 1/4"
FHZRH6T	3/8"-16 Thread Form	
FHZRTH6 *	1 3/32" Thru Hole for 1/4" or 3/8" Threaded Rod	

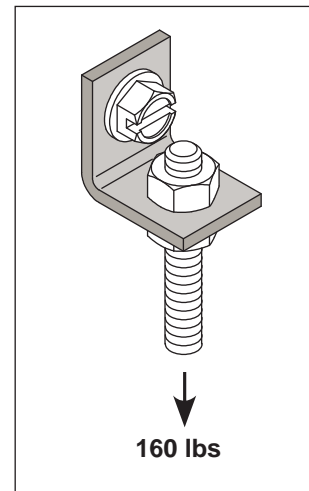
* Nuts sold separately

AB

Angle Bracket



- Accepts wire, chain and rod drops from concrete or wood.
- **Material:** Steel
- **Finish:** Pregalvanized



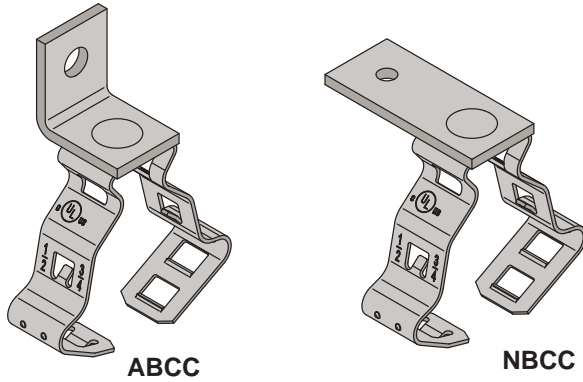
Part No.	HS - 1	HS - 2
AB04	9/32" (7.1mm)	9/32" (7.1mm)
AB06	9/32" (7.1mm)	13/32" (10.3mm)



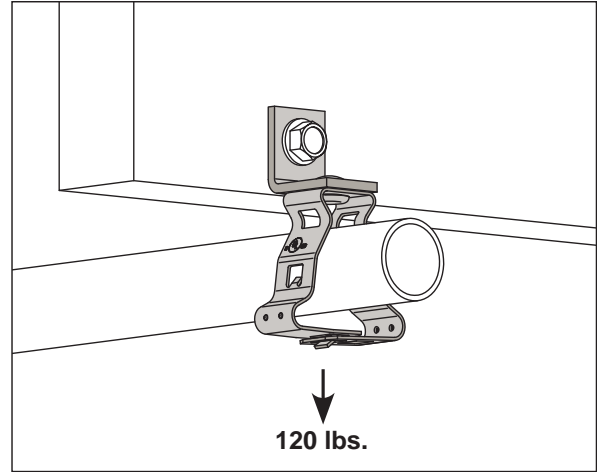


ABCC, NBCC

Angle Bracket and Nail Bracket with Conduit Clip



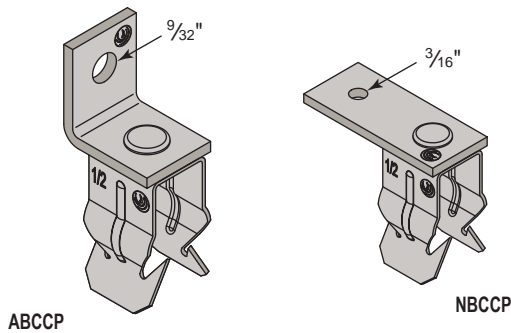
- **ABCC:** Supports horizontal runs of conduit through metal studs and prevents conduit from rattling in wall.
- **NBCC:** Attaches conduit to wood, concrete and steel, works with power tools and nails.
- Conduit clip rotates 360 degrees.
- **Material:** Steel & Spring Steel
- **Finish:** Pregalvanized & Silva-Guard



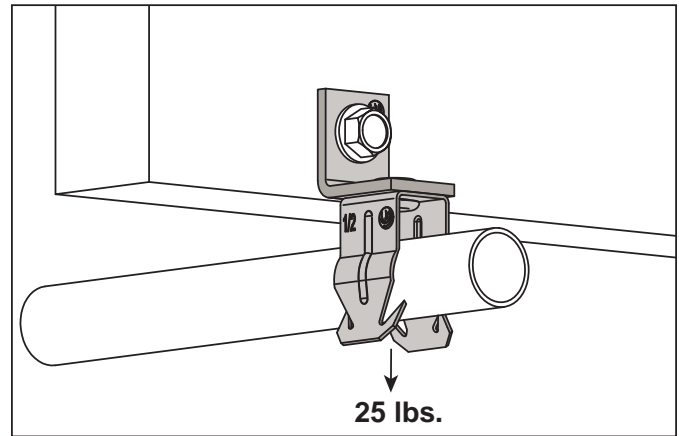
Part No.	Conduit Size
ABCC812	½" or ¾" EMT, Rigid
NBCC812	½" or ¾" EMT, Rigid

ABCCP, NBCCP

Angle and Nail Bracket with Conduit "Push In" Clip



- **ABCCP:** Supports horizontal runs of conduit through metal studs and prevents conduit from rattling in wall.
- **NBCCP:** Attaches conduit to wood, concrete and steel, works with power tools and nails.
- Conduit clip rotates 360 degrees.
- **Material:** Steel & Spring Steel
- **Finish:** Pregalvanized & Silva-Guard



Part No.	Conduit Size
ABCCP8	½" EMT
ABCCP12	¾" EMT, ½", Rigid
NBCCP8	½" EMT
NBCCP12	¾" EMT, ½" Rigid



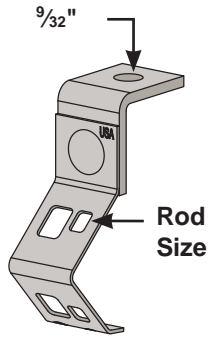
Structural Attachment



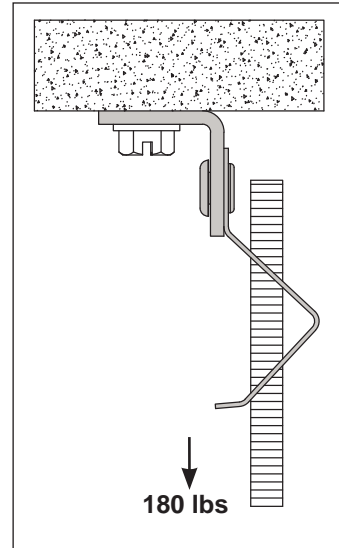
Standard Finish: Silva-Guard (SG)

ABR

Angle Bracket with Rod Hanger Push Install



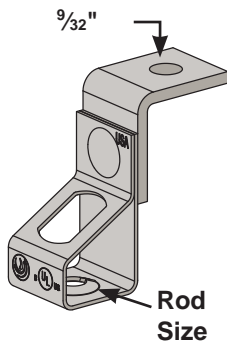
- Attaches to concrete, wood and steel.
- Suspends plain and threaded rod from horizontal surfaces.
- Easy adjustment of rod after installation.
- **Material:** Steel & Spring Steel
- **Finish:** Pregalvanized & Silva-Guard



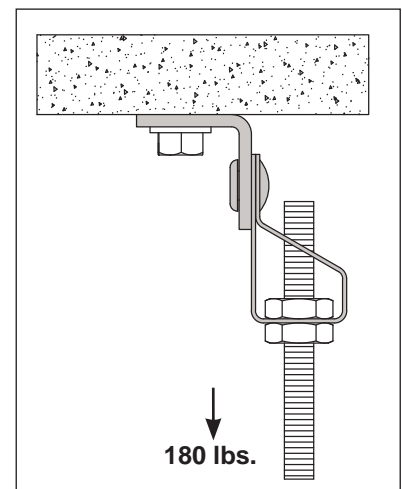
Part No.	Rod Size
ABRH4	#8 Wire or 1/4" Plain or Threaded Rod
ABRH6	3/8" Plain or Threaded Rod

ABR T

Angle Bracket with Rod Hanger Thread Install



- Attaches to concrete, wood and steel.
- Suspends threaded rod from horizontal surfaces.
- **Material:** Steel & Spring Steel
- **Finish:** Pregalvanized & Silva-Guard



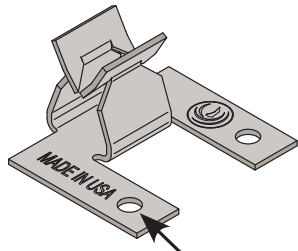
Part No.	Rod Size
ABRH4T	1/4 - 20 Thread Form
ABRH6T	3/8 - 16 Thread Form
ABRTH6 *	1 3/32" Thru Hole for 1/4" or 3/8" Threaded Rod

* Nuts sold separately



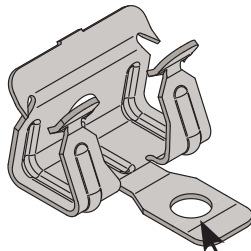
PSP, FSM

Pipe Sleeve Positioner



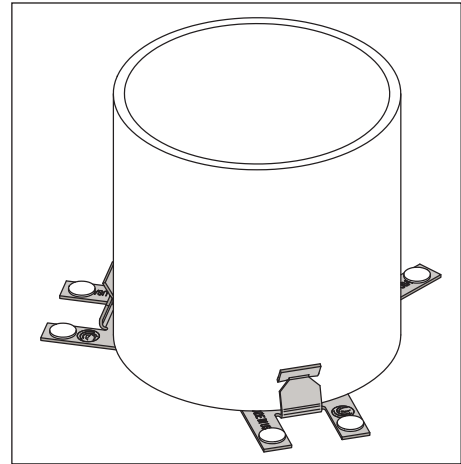
PSP

For 1/8" screw or nail



FSM

For 1/4" screw or nail

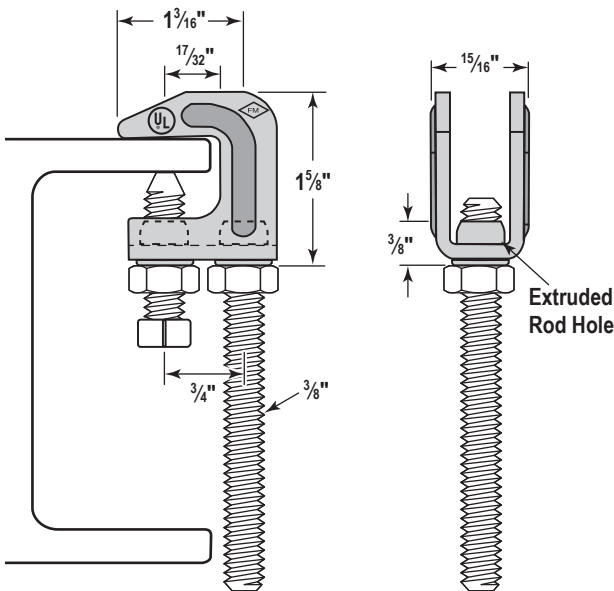


- Use to position pipe sleeves during concrete pours.
- Only a hammer required for installation.
- **Material:** Spring Steel
- **Finish:** Silva-Guard

Part No.	Sleeve Diameter	Pipe Wall Thickness	Min./Max. Sleeve Thickness Range
PSP2-6	2" - 6" (51mm - 152mm)	Schedule #40 Pipe	0" - 5/16" (0 - 8mm)
PSPA	Any Dia.	Up to 5/16" (8mm)	
FSM58	6" (152mm)	Schedule #80 Pipe	1/4" - 1/2" (6mm - 13mm)
FSM58	8" - 10" (203mm - 254mm)	Schedule #40 Pipe	
FSM912	9" - 14" (229mm - 356mm)	Schedule #80 Pipe	1/2" - 3/4" (13mm - 19mm)

Silver Claw

Beam Clamp



- Carbon Steel - Avoids Hydrogen Embrittlement
- Extruded Rod Hole - More Threads Captured
- Made in USA - Meets Requirements for Buy America
- Handles 3/8" Threaded Rod
- Attaches to 3/4" (19mm) Beam or Bar Joist
- Open Back for Easy Inspection and Adjustment
- 3/4" (19mm) Flange Beam
- Zinc Electroplate
- Installs in Upright Position
- Torque Value = 60 in-lbs
- Made in USA
- UL Listed for Top of Beam
- FM Approved for NFPA 13, Maximum Rated Pipe Size
- Complies with Manufacturers Standardization Society SP-69 (Type 19 & 23) and Federal Specification WW-H-171E

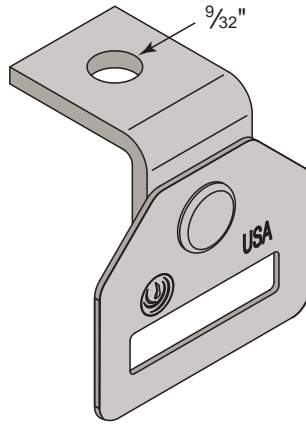


Part No.	Rod Size	Max. Load
SCL037EG	3/8"	400 Lbs.

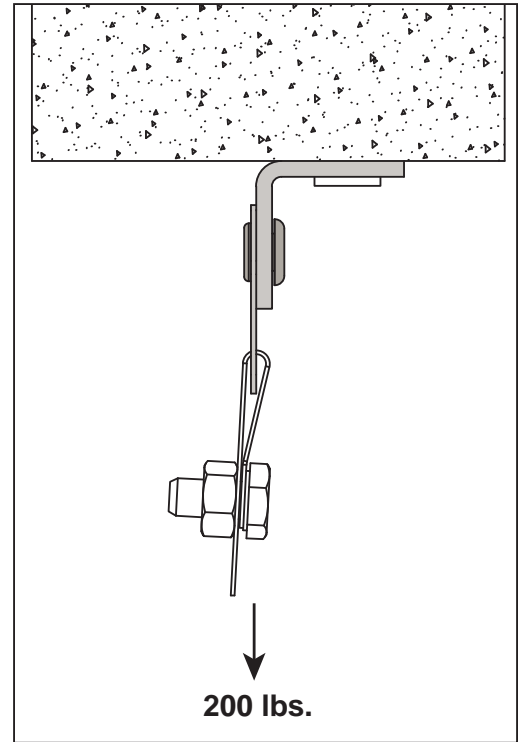


ABSHP

Angle Bracket with Strap Hanger

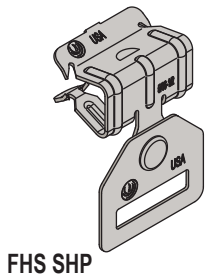


- Supports pipe or duct with strapping.
- Fits strap up to 1" wide.
- **Material:** Steel & Spring Steel
- **Finish:** Pregalvanized & Silva-Guard

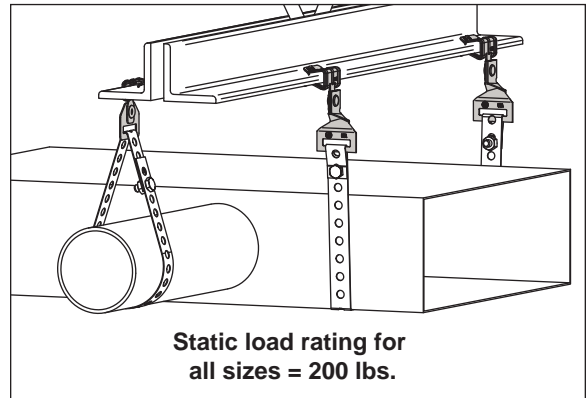
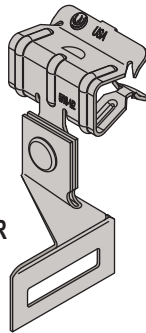


FHS SH

Flange Clip Side Mount with Strap Hanger



FHS SHR



- Supports pipe or duct with strapping from beam flanges.
- Fits strap up to 1" wide.
- Flange thickness range stamped on part.
- Only a hammer required for installation.
- **Material:** Spring Steel
- **Finish:** Silva-Guard

Part No.	Min. - Max. Flange Thickness
FHS24SHP	1/8" - 1/4" (3mm - 6mm)
FHS58SHP	5/16" - 1/2" (8mm - 13mm)
FHS912SHP	9/16" - 3/4" (14mm - 19mm)
FHS24SHR	1/8" - 1/4" (3mm - 6mm)
FHS58SHR	5/16" - 1/2" (8mm - 13mm)
FHS912SHR	9/16" - 3/4" (14mm - 19mm)



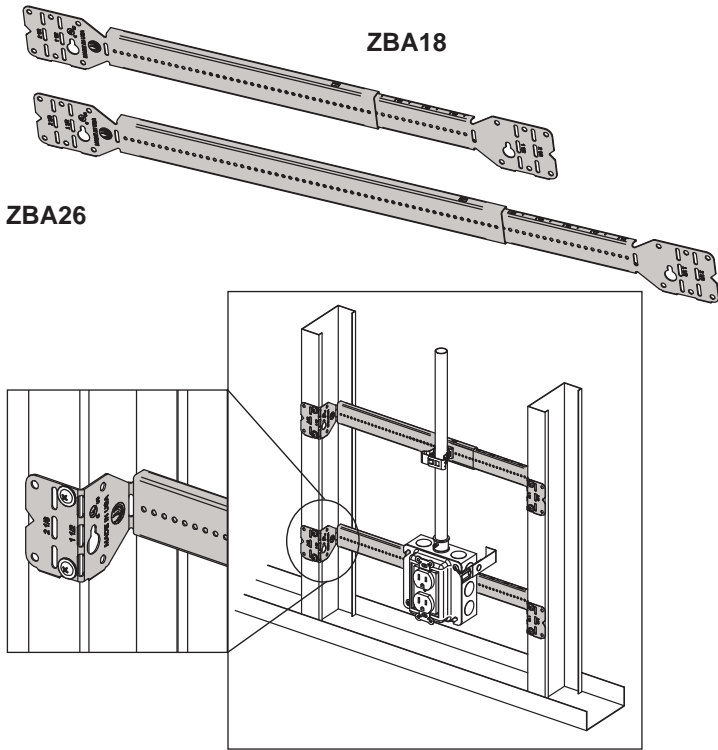
Stud Wall Applications



Standard Finish: Pregalvanized (PG)

ZBA Z-Bracket

Adjustable Screw Gun Bracket for Wood or Metal Studs

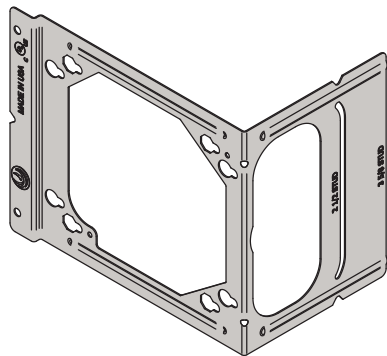


- Complete adjustability for infinite stud spacings.
- Requires only a screw gun to install.
- Pre-punched holes allow easy box or conduit attachment.
- Stud spacing scale stamped on bracket for precise preassembly.
- Locking tabs prevent disassembly.
- Use with SDTSLP8X1/2 screws, see page 25.
- **Material:** Steel
- **Finish:** Pregalvanized

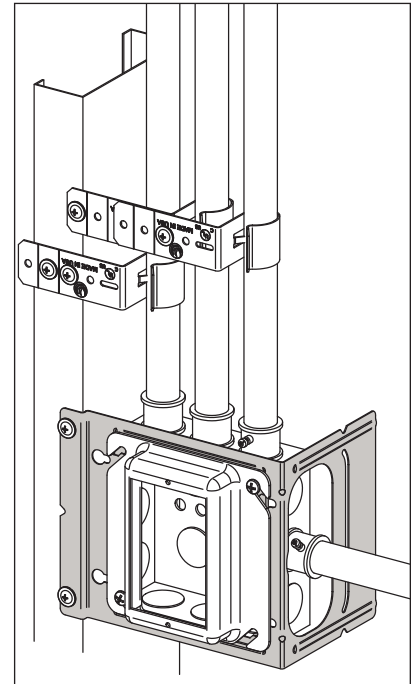
Part No.	Stud Centers	Distance Between Studs	Box Depth
ZBA18PG	11" to 18" (279mm to 457mm)	10" to 16-3/4" (254mm to 425mm)	1-1/2" or 2-1/8" (38mm or 54mm)
ZBA26PG	16" to 26" (406mm to 660mm)	14" to 25-1/4" (356mm to 641mm)	

BBSM

Electrical Box Bracket for Wood or Metal Studs



- Used to attach 4" and 4-11/16" outlet boxes to wood or metal studs.
- Large cutouts provided for conduit and fittings.
- Integral farside support prevents outlet box movement.
- Use with SDTSLP8X1/2 screws, see page 25
- **Material:** Steel
- **Finish:** Pregalvanized

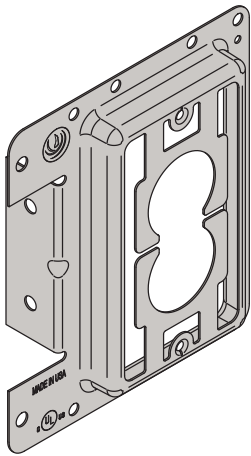


Part No.	Outlet Boxes	Box Depths	Stud Depths
BBSM	4" (102mm) Square, 4-11/16" (119mm) Square and Low Voltage Plaster Rings	1-1/4", 1-1/2", and 2-1/8" Deep (32mm, 38mm, and 54mm)	2-1/2", 3-5/8" (64 mm, 92 mm)

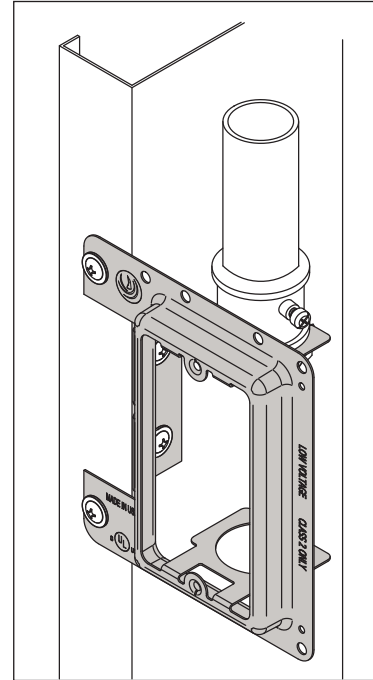


LVMN

Low Voltage Mounting Plate for New Construction



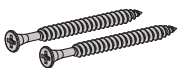
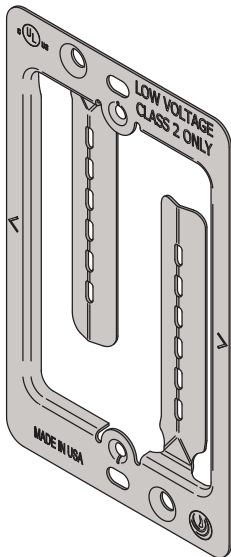
- Wood or Metal Studs
- New work design requires a screw gun for installation.
- Inner tabs allow 3/4" EMT or 1/2" EMT with reducer fitting for conduit applications if required.
- Can be mounted vertically or horizontally on wood or metal studs.
- Replaces electrical box in Class 2 low voltage installations.
- Use with SDTSLP8X1/2 screws, see page 25
- **Material:** Steel
- **Finish:** Pregalvanized



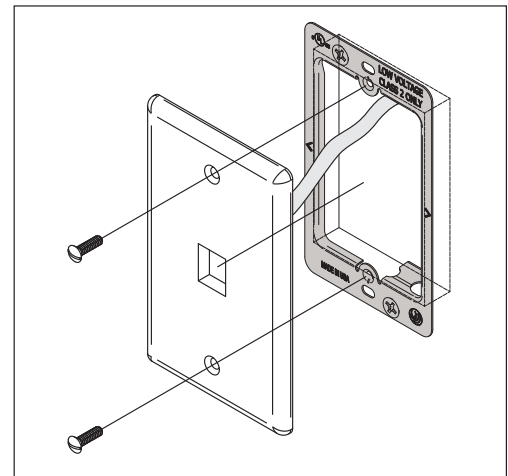
Part No.	Drywall Thickness
LVMN	1/2" thru 5/8" (13mm to 16mm)

LVMS

Low Voltage Mounting Plate with Screws for Existing Construction



- Old work design requires a drywall saw and screw driver for installation.
- Provided screws make a more secure bracket installation.
- Replaces electrical box in Class 2 low voltage installations.
- **Material:** Steel
- **Finish:** Pregalvanized



Part No.	Drywall Thickness
LVMS	1/2" thru 1-1/4" (13mm to 32mm)



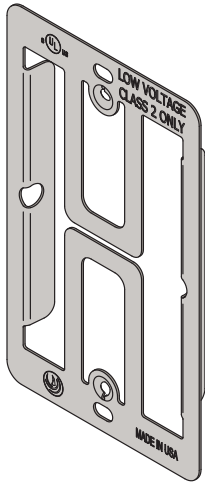
Stud Wall Applications



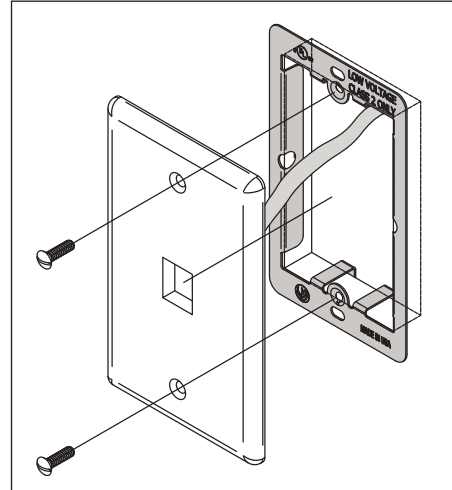
Standard Finish: Pregalvanized (PG) or Silva-Guard (SG)

LVMP

Low Voltage Mounting Plate for Existing Construction



- Old work design requires a drywall saw and screw driver for installation.
- Replaces electrical box in Class 2 low voltage installations.
- **Material:** Steel
- **Finish:** Pregalvanized



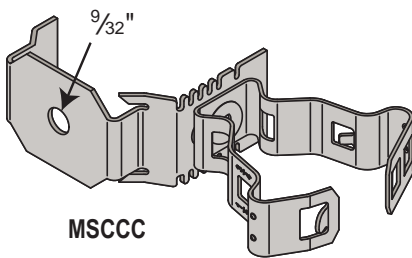
Part No.	Drywall Thickness
LVMP	1/2" thru 1-1/4" (13mm to 32mm)

MSCCC, MSCCP

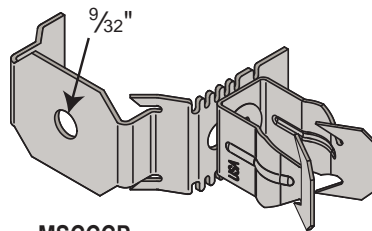
Metal Stud Clip with Conduit Clip & Conduit "Push In" Clip



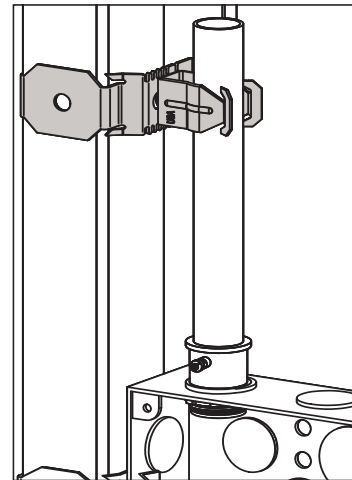
* MSCCC Only



MSCCC



MSCCP



- Supports pipe and conduit to studs.
- Hole provided for additional support.
- Use with SDTSLP8X1/2 screws, see page 25
- **Material:** Spring Steel
- **Finish:** Silva-Guard

Part No.	Hole Size	Conduit Size
* MSCCC8-12	9/32"	1/2" or 3/4" EMT, Rigid
* MSCCC16		1" EMT, Rigid
* MSCCC20		1-1/4" EMT, Rigid
MSCCCP8	9/32"	1/2" EMT
MSCCCP12		3/4" EMT, 1/2" Rigid
MSCCCP16		1" EMT, 3/4" Rigid

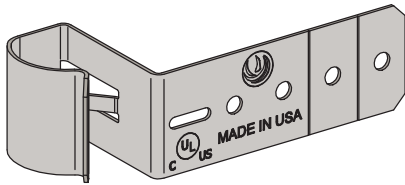
* NOTE: UL Listed



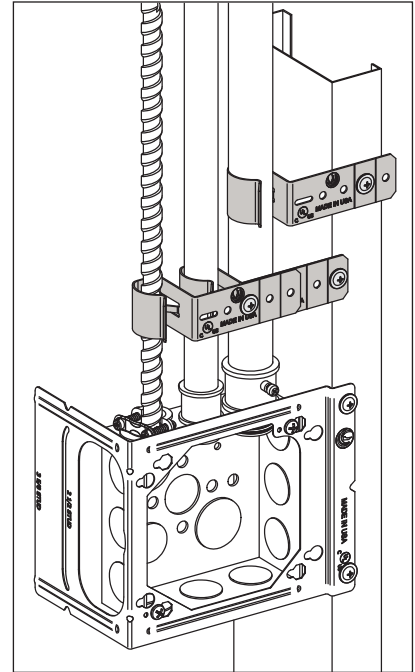
Standard Finish: Pregalvanized (PG) or Silva-Guard (SG)

CTS

Conduit Clip to Wood or Metal Stud



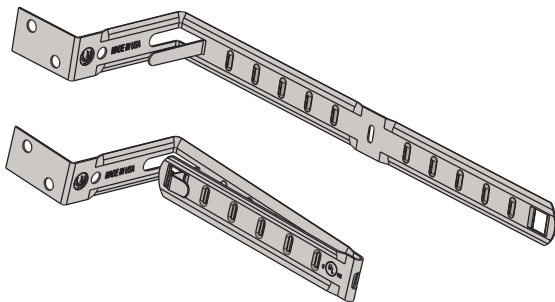
- Eliminates offset bending of conduit.
- Aligns conduit with standard knockouts.
- Accommodates EMT and MC/AC cable.
- Complies with NEC 358.30(A), conduit support within 36" of an electrical box.
- For use with wood and metal studs. Use with SDTSLP8X1/2 screws, see page 25
- **Material:** Spring Steel
- **Finish:** Silva-Guard



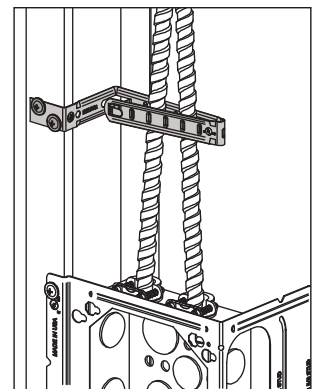
Part No.	Box Depth	MC/AC Cable Size	Conduit Size
CTS812	1-1/2" (38mm)	14-2, 14-3, 12-2, 12-3	1/2" or 3/4" EMT MC/AC (13mm or 19mm)

CSSTS

Cable Support Strap for Wood or Metal Studs



- Integral ribs used to maintain cable separation.
- Complies with NEC 300.4(D).
- For use with wood and metal studs.
- Use with SDTSLP8X1/2 screws, see page 25
- **Material:** Steel
- **Finish:** Pregalvanized



Part No.	Cable Type	Cable Size	Cables per Fastener	Description
CSSTS	Romex™ and Non-Metallic Sheathed Cable	14-2, 12-2, 10-2, 14-3, 12-3, and 10-3 with ground	6 Max.	To Attach Romex Non-Metallic Sheathed Cable, AC, BX, and MC Cable to Wood or Metal Stud
		8-2 and 6-2 with ground	4 Max.	
	Metal Clad (MC) Cable	14-2, 12-2, 10-2, 14-3, 12-3, 10-3, 14-4, 12-4, and 10-4 with ground	4 Max.	



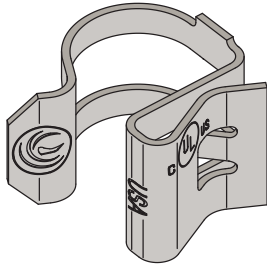
Stud Wall Applications



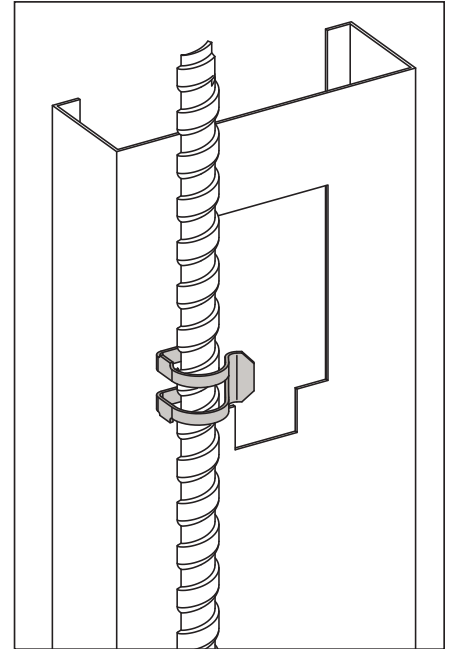
Standard Finish: Silva-Guard (SG) or ElectroGalvanized (EG)

CCMS

MC/AC Cable Clip to Metal Stud



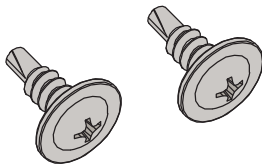
- Cable clip attaches MC/AC cable to metal studs.
- No tools required for application.
- **Material:** Spring Steel
- **Finish:** Silva-Guard



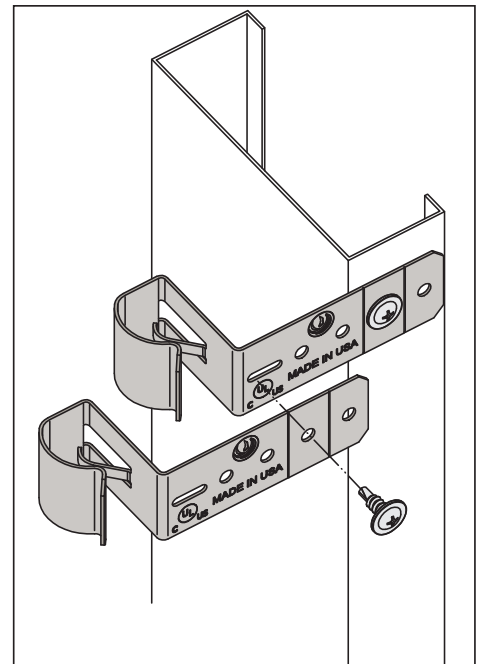
Part No.	Cable Type	Cable Size	Description
CCMS	MC/AC Cable	14-2, 14-3, 12-2, 12-3	MC/AC Cable Clip to Metal Stud

SDTSLP8X1/2

Self Drilling and Tapping Screw

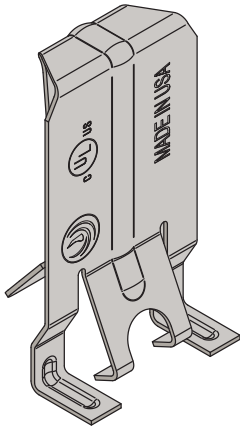


- #8 x 1/2" Long Self drilling and tapping, low profile screws
- Thin head prevents drywall bulge.
- #2 phillips driver for screw gun use.
- **Material:** Steel
- **Finish:** ElectroGalvanized

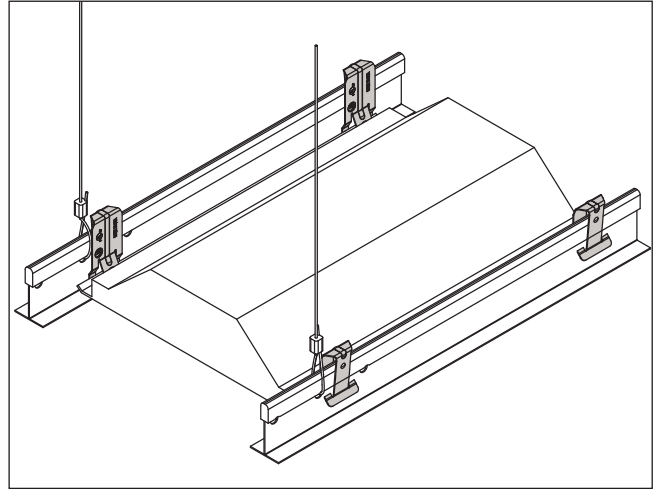


SCT

Support Clip for Troffer Lights & Lay-Ins



- Four clips per fixture required per UL listing.
- Compatible with straight lip or upturned lip fixtures.
- Tall grid compatible.
- **Material:** Spring Steel
- **Finish:** Silva-Guard



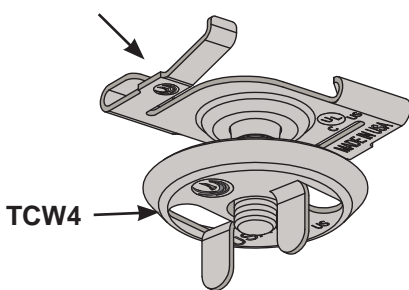
Part No.	Description
SCT15	Support clip for securing troffers, lay-ins and air diffusers to T-Grid

TCB, TCS

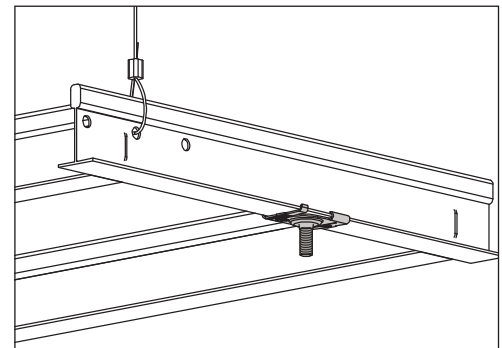
Twist Clip with Wing Nut



TCB16



- Use to attach lighting to main T-bars.
- Simple twist on design eliminates the need for installation tools.
- Will not damage T-grid.
- **Material:** Spring Steel
- **Finish:** Silva-Guard



Part No.	Stud Length	Description	Static Load Limit per Fastener
TCB16	5/8"	15/16" Tee Twist Clip with Stud	50 Lbs.
TCW4	-	1/4"-20 Twist Clip Wing Nut	100 Lbs.
TCS16	5/8"	15/16" Tee Twist Clip and Wing Nut	50 Lbs.



Ceiling and Acoustical Applications

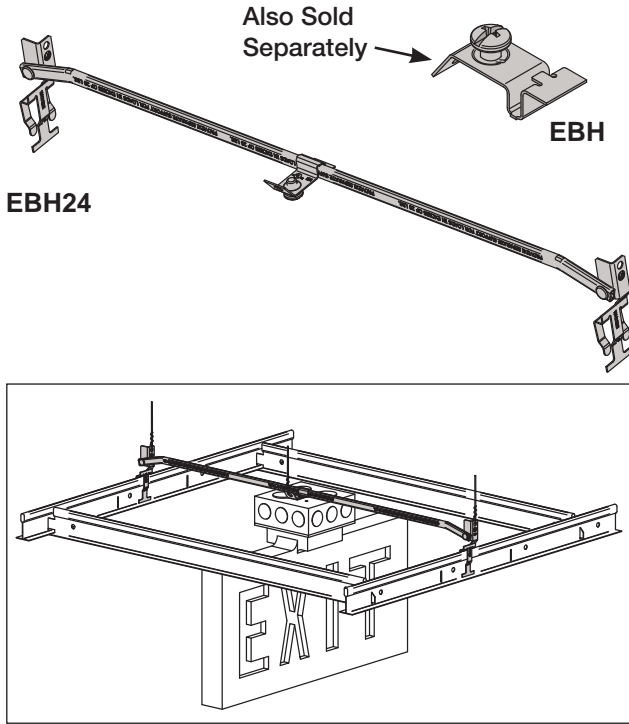


Standard Finish: Silva-Guard (SG)



EBH

Electrical Box Hanger with Box Mounting Clip

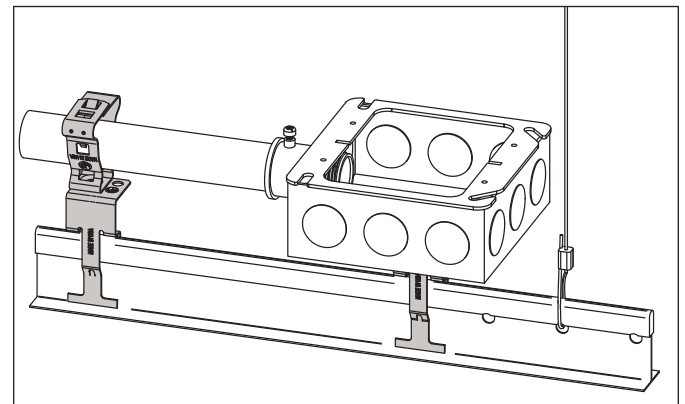
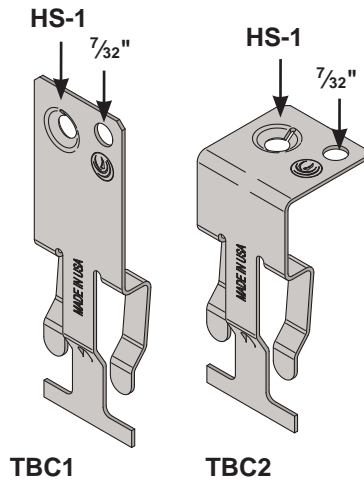


Part No.	Description
EBH24	Complete assembly to flush mount a 1-1/2" box with or without 3/4" device ring or 2-1/8" box to ceiling tile. Used for 24" on center T-grid spacing.
EBH	Box mounting clip and screw for attaching one or multiple boxes to EB 24 assembly.

- Complete hanger assembly for supporting an electrical box above T-grid.
- Multiple holes provided for drop wire securement to building structure.
- Dual height feature permits 1-1/2" electrical box with or without 3/4" device ring and 2-1/8" box to be flush mounted with ceiling tile.
- Included mounting clip and 1/4" screw is compatible with standard knock-out configurations.
- **Material:** Steel & Spring Steel
- **Finish:** Pregalvanized & Silva-Guard

TBC

T-Bar Clip



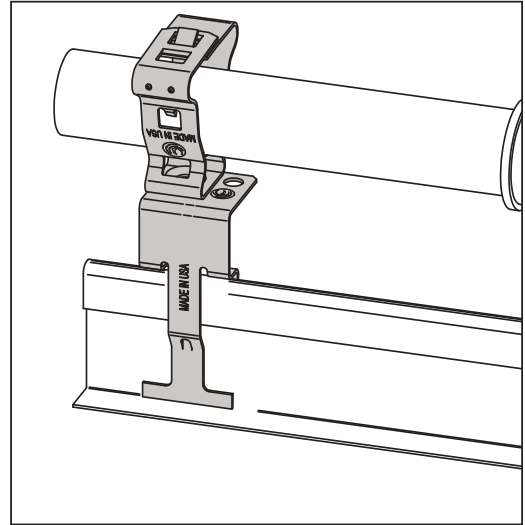
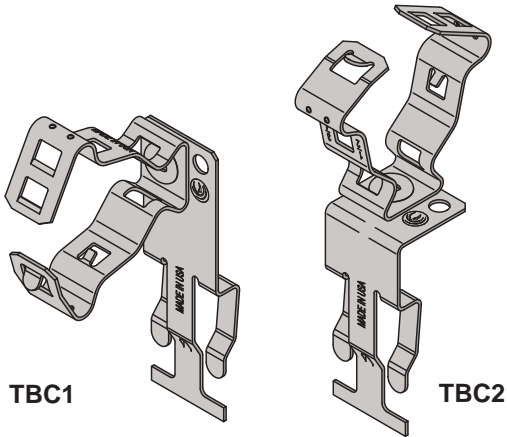
- Attaches outlet boxes and conduit clips above T-grid.
- 7/32" hole provided for drop wire.
- Clip snaps onto T-bar. No tools required.
- **Material:** Spring Steel
- **Finish:** Silva-Guard

Part No.	HS-1
TBC1	1/4" x 20 Thread Form
TBC2	1/4" x 20 Thread Form



TB C

T-Bar Clip with Conduit Clip

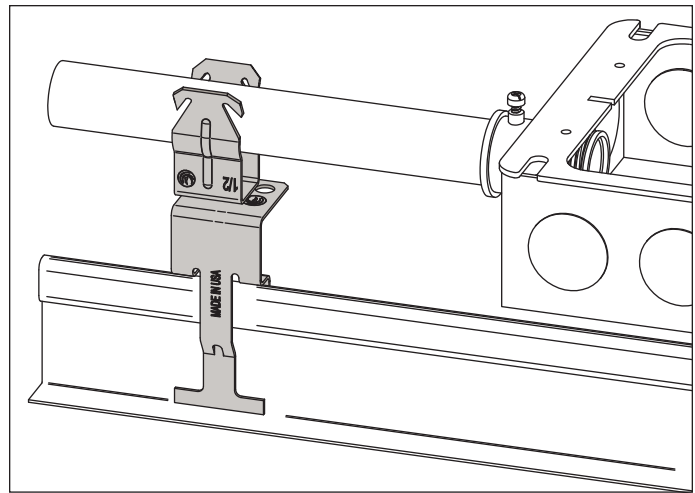
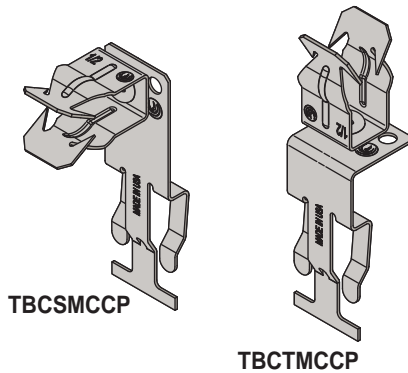


- Supports pipe and conduit above T-bars. Conduit clip rotates 360 degrees.
- No screws or bolts required. No installation tools required.
- 7/32" Hole provided for drop wire.
- **Material:** Spring Steel
- **Finish:** Silva-Guard

Part No.	Conduit Size
TBC1C812	1/2" or 3/4" EMT, Rigid
TBC1C16	1" EMT, Rigid
TBC2C812	1/2" or 3/4" EMT, Rigid
TBC2C16	1" EMT, Rigid

TBC SMCCP, TMCCP

T-Bar Clip with Conduit "Push In" Clip



- Supports pipe and conduit above T-bars.
- Conduit clip rotates 360 degrees.
- No screws, bolts or installation tools required.
- 7/32" hole provided for drop wire.
- **Material:** Spring Steel
- **Finish:** Silva-Guard

Part No.	Mount	Conduit Size
TBCSMCCP8	Side Mount	1/2" EMT
TBCSMCCP12		3/4" EMT, 1/2" Rigid
TBCSMCCP16		1" EMT, 3/4" Rigid
TBCTMCCP8	Top Mount	1/2" EMT
TBCTMCCP12		3/4" EMT, 1/2" Rigid
TBCTMCCP16		1" EMT, 3/4" Rigid



Part Number Cross Reference

Part Number		Description
Caddy	WESANCO	
12P	CCP12	Conduit Push In, ¾ EMT -½ RGD, ¼ Hs
12P12P	CCP12CCP12	Cndt Push ¾ EMT ½ RGD W/Push ¾ emt ½ RGD
12P16P	CCP12CCP16	Cndt Push ¾ EMT ½ RGD W/Push 1EMT ¾ RGD
12P24	FH24CCP12	Fing Ham on ⅛-¼ W/Push ¾ EMT ½ RGD
12P24SM	FHS24CCP12	Ham on Side ⅛-¼ W/Push ¾ EMT ½ RGD
12P58	FH58CCP12	Fing Ham on ⅝-½ W/Push ¾ EMT ½ RGD
12P58SM	FHS58CCP12	Ham on Side ⅝-½ W/Push ¾ EMT ½ RGD
12P912	FH912CCP12	Fing Ham on ⅞-¾ W/Push ¾ EMT ½ RGD
12P912SM	FHS912CCP12	Ham on Side ⅞-¾ W/Push ¾ EMT ½ RGD
12PATA	TBCTMCCP12	Tee Bar Clip Top Mt W/Push ¾ EMT ½ RGD
12PATS	TBCSMCCP12	Tee Bar Clip Side Mt W/Push ¾ emt ½ RGD
12PF	MSCCCP12	Metal Stud Clip W/Push ¾ EMT ½ RGD
1616M	CC16CC16	1" Conduit Clip W/1" Conduit Clip
1620M	CC16CC20	1" Conduit Clip W/1-¼" Conduit Clip
1624M	CC16CC24	1" Conduit Clip W/1-½" Conduit Clip
1632M	CC16CC32	1" Conduit Clip W/ 1" Conduit Clip
16812M	CC16CC812	1" Conduit Clip W/ ½" - ¾" Conduit Clip
16M	CC16	Conduit Clip 1" W/ Thru Hole
16M24	FH24CC16	Flange Hammer- On ⅛" - ¼" W/ Conduit Clip 1"
16M24SM	FHS24CC16	Hammer- On Mount ⅛" - ¼" W/ Conduit Clip 1"
16M4I	CCT16	Conduit Clip 1" W/ Threaded Hole
16M58	FH58CC16	Flange Hammer- On ⅝" - ½" W/ Conduit Clip 1"
16M58SM	FHS58CC16	Hammer- On Mount ⅝" - ½" W/ Conduit Clip 1"
16M912	FH912CC16	Flange Hammer- On ⅞" - ¾" W/ Conduit Clip 1"
16M912SM	FHS912CC16	Hammer- On Mount ⅞" - ¾" W/ Conduit Clip 1"
16MATA	TBC2C16	T-Bar Clip W/ Conduit Clip 1" EMT Rigid
16MATS	TBC1C16	T-Bar Clip W/ Conduit Clip 1" EMT Rigid
16MF	MSCCC16	Metal Stud Clip W/Conduit Clip 1"
16P	CCP16	Conduit Push In, 1 EMT -¾ RGD, ¼" Hs
16P16P	CCP16CCP16	Cndt Push 1EMT ¾ RGD W/Push 1 EMT ¾ RGD
16P24	FH24CCP16	Fing Ham On ⅛-¼ W/Push 1 EMT ¾ RGD
16P24SM	FHS24CCP16	Ham On Side ⅛-¼ W/Push 1 EMT ¾ RGD
16P58	FH58CCP16	Fing Ham On ⅝-½ W/Push 1 EMT ¾ RGD
16P58SM	FHS58CCP16	Ham On Side ⅝-½ W/Push 1 EMT ¾ RGD
16P912	FH912CCP16	Fing Ham On ⅞-¾ W/Push 1 EMT ¾ RGD
16P912SM	FHS912CCP16	Ham On Side ⅞-¾ W/Push 1 EMT ¾ RGD
16PATA	TBCTMCCP16	Tee Bar Clip Top Mt W/Push 1 EMT ¾ RGD
16PATS	TBCSMCCP16	Tee Bar Clip Side Mt W/Push 1 EMT ¾ RGD
16PF	MSCCCP16	Metal Stud Clip W/Push 1 EMT ¾ RGD
20M	CC20	Conduit Clip 1-¼" W/ Thru Hole
20M24	FH23CC20	Flange Hammer- On ⅛" - ¼" W/ Conduit Clip 1-¼"
20M24SM	FHS24CC20	Hammer- On ⅛" - ¼" W/ Conduit Clip 1-¼"
20M4I	CCT20	Conduit Clip 1-¼" W/ Threaded Hole

Part Number		Description
Caddy	WESANCO	
20M58	FH58CC20	Flange Hammer- On ⅝" - ½" W/Conduit Clip 1-¼"
20M58SM	FHS58CC20	Hammer- On ⅝" - ½" W/ Conduit Clip 1-¼"
20M912	FH912CC20	Flange Hammer- On ⅞" - ¾" W/Conduit Clip 1-¼"
20M912SM	FHS912CC20	Hammer- On ⅞" - ¾" W/ Conduit Clip 1-¼"
20MF	MSCCC20	Metal Stud Clip W/C On D Clip 1 ¼
24M	CC24	Conduit Clip 1-½" W/ Thru Hole
24M24	FH24CC24	Flange Hammer- On ⅛" - ¼" W/Conduit Clip 1-½"
24M24SM	FHS24CC24	Hammer on ⅛" - ¼" W/ Conduit Clip 1-½"
24M4I	CCT24	Conduit Clip 1-½" W/ Threaded Hole
24M58	FH58CC24	Flange Hammer on ⅝" - ½" W/Conduit Clip 1-½"
24M58SM	FHS58CC24	Hammer on ⅝" - ½" W/ Conduit Clip 1-½"
24M912	FH912CC24	Flange Hammer on ⅞" - ¾" W/Conduit Clip 1-½"
24M912SM	FHS912CC24	Hammer on ⅞" - ¾" W/ Conduit Clip 1-½"
2BRT12	BR1012	Threaded Bridle Ring, ¾" Dia, #10 Screw, Metal
2BRT20	BR1020	Threaded Bridle Ring, 1 ¼" Dia, #10 Screw, Metal
2BRT32	BR1032	Threaded Bridle Ring, 2" Dia, #10 Screw, Metal
3000037EG	BC8037EG	Beam Clamp Malleable For ⅜" Rod Eg
3000037PL	BC8037PL	Beam Clamp Malleable For ⅜" Rod Plain
3000050EG	BC8050EG	Beam Clamp Malleable For ½" Rod Eg
3000050PL	BC8050PL	Beam Clamp Malleable For ½" Rod Plain
3000062EG	BC8062EG	Beam Clamp Malleable For ⅝" Rod Eg
3000062PL	BC8062PL	Beam Clamp Malleable For ⅝" Rod Plain
3000075EG	BC8075EG	Beam Clamp Malleable For ¾" Rod Eg
3000075PL	BC8075PL	Beam Clamp Malleable For ¾" Rod Plain
3100037EG	BC81037EG	Beam Clamp Malleable For ⅜" Rod Eg
3100037PL	BC81037PL	Beam Clamp Malleable For ⅜" Rod Plain
3100050EG	BC81050EG	Beam Clamp Malleable For ½" Rod Eg
3100050PL	BC81050PL	Beam Clamp Malleable For ½" Rod Plain
32M	CC32	Conduit Clip 2" W/ Thru Hole
32M24	FH24CC32	Flange Hammer- On ⅛" - ¼" W/ Conduit Clip 2"
32M24SM	FHS24CC32	Hammer- On Mount ⅛" - ¼" W/ Conduit Clip 2"
32M4I	CCT32	Conduit Clip 2" W/ Threaded Hole
32M58	FH58CC32	Flange Hammer- On ⅝" - ½" W/ Conduit Clip 2"
32M58SM	FHS58CC32	Hammer- On Mount ⅝" - ½" W/ Conduit Clip 2"
32M912	FH912CC32	Flange Hammer- On ⅞" - ¾" W/ Conduit Clip 2"
32M912SM	FHS912CC32	Hammer- On Mount ⅞" - ¾" W/ Conduit Clip 2"
449	CCMS	Cable Clip MC/AC To Metal Stud
4BRT20	BR2520	Threaded Bridle Ring, 1 ¼" Dia, ¼" Screw, Metal
4BRT20WS	BR2520WS	Threaded Bridle Ring, 1 ¼" Dia, ¼" Screw, Wood
4BRT32	BR2532	Threaded Bridle Ring, 2" Dia, ¼" Screw, Metal
4BRT32WS	BR2532WS	Threaded Bridle Ring, 2" Dia, ¼" Screw, Wood
4G16	TCS16	Twist Clip ⅛" W/Stud ¼" X ¾" W/ Nut
4G16LN	TCB16	Twist Clip Base ⅛" W/Stud

Part Number Cross Reference

Part Number		Description
Caddy	WESANCO	
4H24	FSM24	Hammer- On Mount 1/8" - 1/4"
4H58	FSM58	Hammer- On Mount 5/16" - 1/2"
4H912	FSM912	Hammer- On Mount 9/16" - 3/4"
4TI	RHT4T	Rod Hanger Thread Install 1/4" Thread
4TI24	FH24RH4T	Hammer on 1/8" - 1/4" W/Rod Hanger Thread Install 1/4"
4TI58	FH58RH4T	Hammer on 5/16" - 1/2" W/Rod Hanger Thread Install 1/4"
4TI912	FH912RH4T	Hammer on 9/16" - 3/4" W/Rod Hanger Thread Install 1/4"
4TIB	ABRH4T	Angle Bracket W/Rod Hanger Thread Install 1/4" Thread
4WN	TCW4	Twist Clip Wing Nut 1/4"-20
4Z34	MFC	Multi-Functi On Clip
4Z3412P	MFCCCP12	Multi-Functn Clip W/Push 3/4 EMT 1/2 RGD
4Z3416M	MFC16	Multi-Functi On Clip W/ Conduit Clip 1"
4Z3416P	MFCCCP16	Multi-Functn Clip W/Push 1 EMT 3/4 RGD
4Z34812M	MFC812	Multi-Functi On Clip W/ Conduit Clip 1/2" - 3/4"
4Z348P	MFCCCP8	Multi-Functn Clip W/Cndt Push 1/2 EMT
4Z4S	MFCS	Multi-Functi On Clip W/Stud
512	EBH24	Electrical Box Hanger Standard Duty 24" Span
515A	SCT15	Support Clip Trofer & Lay In Tee Grid
6A	RHP6	Rod Hanger Push Install 3/8" Rod
6A24	FH24RHP6	Hammer- On 1/8" - 1/4" W/Rod Hanger Push 3/8" Rod
6A58	FH58RHP6	Hammer- On 5/16" - 1/2" W/Rod Hanger Push 3/8" Rod
6A912	FH912RHP6	Hammer- On 9/16" - 3/4" W/Rod Hanger Push 3/8" Rod
6AB	ABRH6	Angle Bracket W/Rod Hanger Push Install 3/8" Rod
6T	RHT6	Rod Hanger Thread Install 13/32" Thru Hole
6TA24	FH24RH6	Hammer on 1/8" - 1/4" W/Rod Hanger Thread 13/32" Hole
6TA58	FH58RH6	Hammer on 5/16" - 1/2" W/Rod Hanger Thread 13/32" Hole
6TA912	FH912RH6	Hammer on 9/16" - 3/4" W/Rod Hanger Thread 13/32" Hole
6TB	ABRTH6	Angle Bracket W/Rod Hanger Thread Install 13/32" Hole
6TI	RHT6T	Rod Hanger Thread Install 3/8" Thread
6TI24	FH24RH6T	Hammer- On 1/8" - 1/4" W/Rod Hanger Thread 3/8"
6TI58	FH58RH6T	Hammer- On 5/16" - 1/2" W/Rod Hanger Thread 3/8"
6TI912	FH912RH6T	Hammer- On 9/16" - 3/4" W/Rod Hanger Thread 3/8"
6TIB	ABRH6T	Angle Bracket W/Rod Hanger Thread Install 3/8" Thread
708	RHP4	Rod Hanger Push Install 1/4" Rod, #8 Wire
70824	FH24RHP4	Hammer- On 1/8" - 1/4" W/Rod Hanger Push Install 1/4" Rod Or #8 Wire

Part Number		Description
Caddy	WESANCO	
70858	FH58RHP4	Hammer- On 5/16" - 1/2" W/Rod Hanger Push Install 1/4" Rod Or #8 Wire
708912	FH912RHP4	Hammer- On 9/16" - 3/4" W/Rod Hanger Push Install 1/4" Rod Or #8 Wire
708AB	ABRH4	Angle Bracket W/Rod Hanger Push 1/4" Rod Or #8 Wire
740	PSP2-6	Pipe Sleeve Positi On Er 2" To 6"
740	PSPA	Pipe Sleeve Positi On Er Any Size
812M	CC812	Conduit Clip 1/2" - 3/4" W/ Thru Hole
812M24	FH24CC812	Flange Hammer- On 1/8" - 1/4" W/ Conduit Clip 1/2" - 3/4"
812M24SM	FHS24CC812	Hammer- On 1/8" - 1/4" W/ Conduit Clip 1/2" - 3/4"
812M4I	CCT812	Conduit Clip 1/2" - 3/4" W/ Threaded Hole
812M58	FH58CC812	Flange Hammer on 5/16" - 1/2" W/ Conduit Clip 1/2" - 3/4"
812M58SM	FHS58CC812	Hammer- On 5/16" - 1/2" W/ Conduit Clip 1/2" - 3/4"
812M912	FH912CC812	Flange Hammer on 9/16" - 3/4" W/ Conduit Clip 1/2" - 3/4"
812M912SM	FHS912CC812	Hammer- On 9/16" - 3/4" W/ Conduit Clip 1/2" - 3/4"
812MATA	TBC2C812	T-Bar Clip W/ Conduit Clip 1/2" - 3/4" EMT Rigid
812MATS	TBC1C812	T-Bar Clip W/ Conduit Clip 1/2" - 3/4" EMT Rigid
812MF	MSCCC812	Metal Stud Clip W/Cndt Clip 1/2-3/4
8P	CCP8	Conduit Push In, 1/2 EMT, 1/4 Mtg Hole
8P12P	CCP8CCP12	Cndt Push 1/2 EMT W/Push 3/4 EMT 1/2 RGD
8P16P	CCP8CCP16	Cndt Push 1/2 EMT W/Push 1 EMT 3/4 RGD
8P24	FH24CCP8	Fling Ham On 1/8-1/4 W/Cndt Push 1/2 EMT
8P24SM	FHS24CCP8	Ham On Side 1/8-1/4 W/Cndt Push 1/2 EMT
8P58	FH58CCP8	Fling Ham On 5/16-1/2 W/Cndt Push 1/2 EMT
8P58SM	FHS58CCP8	Ham On Side 5/16-1/2 W/Cndt Push 1/2 EMT
8P8P	CCP8CCP8	Cndt Push 1/2 EMT W/Cndt Push 1/2 EMT
8P912	FH912CCP8	Fling Ham On 9/16-3/4 W/Cndt Push 1/2 EMT
8P912SM	FHS912CCP8	Ham On Side 9/16-3/4 W/Cndt Push 1/2 EMT
8PATA	TBCTMCCP8	Tee Bar Clip Top Mt W/Cndt Push 1/2 EMT
8PATS	TBCSMCCP8	Tee Bar Clip Side Mt W/Cndt Push 1/2 EMT
8PF	MSCCCP8	Metal Stud Clip W/Cndt Push 1/2 EMT
AB	AB04	Angle Bracket 1/4" Holes
AB375	AB06	Angle Bracket 3/8" Hole Size
AF14	FHZ	Flange Hanger - "Z" Purlin
AF144TI	FHZRH4T	Flange Hanger Z Purlin W/Rod Hanger Thread Install 1/4" Thread
AF146A	FHZRH6	Flange Hanger Z Purlin W/Rod Hanger Push Install 3/8" Rod
AF146T	FHZRTH6	Flange Hanger Z Purlin W/Rod Hanger Thread Install 13/32" Thru Hole
AF146TI	FHZRH6T	Flange Hanger Z Purlin W/Rod Hanger Thread Install 3/8" Thread

Part Number Cross Reference

Part Number		Description
Caddy	WESANCO	
AF14708	FHZRH4	Flange Hanger Z Purlin W/Rod Hanger Push Install ¼" Rod Or #8 Wire
ATA4I	TBC2	T-Bar Clip Bent
ATS4I	TBC1	T-Bar Clip Straight
BC	BCL	Beam Clamp 7/16" Thru Hole
BC12P	BCLCCP12VM	Beam Clamp W/Push ¾ EMT ½ RGD Ver Mnt
BC12PSM	BCLCCP12HM	Beam Clamp W/Push ¾ EMT ½ RGD Hor Mnt
BC16M	BCC16VM	Beam Clamp W/ Conduit Clip 1" Vertical Mount
BC16MSM	BCC16HM	Beam Clamp W/ Conduit Clip 1" Horiz. Mount
BC16P	BCLCCP16VM	Beam Clamp W/Push 1 EMT ¾ RGD Ver Mnt
BC16PSM	BCLCCP16HM	Beam Clamp W/Push 1 EMT ¾ RGD Hor Mnt
BC200	BC92025EG	Beam Clamp Malleable For ¼" Rod Eg
BC20M	BCC20CM	Beam Clamp W/ Conduit Clip 1-¼" Vertical Mount
BC20MSM	BCC20HM	Beam Clamp W/ Conduit Clip 1-¼" Horiz. Mount
BC24M	BCC24VM	Beam Clamp W/ Conduit Clip 1-½" Vertical Mount
BC24MSM	BCC24HM	Beam Clamp W/ Conduit Clip 1-½" Horiz. Mount
BC260025EG	BC91025EG	Beam Clamp Malleable For ¼" Rod Eg
BC32M	BCC32VM	Beam Clamp W/ Conduit Clip 2" Vertical Mount
BC32MSM	BCC32HM	Beam Clamp W/ Conduit Clip 2" Horiz. Mount
BC812M	BCC812VM	Beam Clamp W/ Conduit Clip ½" - ¾" Vertical Mount
BC812MSM	BCC812HM	Beam Clamp W/ Conduit Clip ½" - ¾" Horiz. Mount
BC8P	BCLCCP8VM	Beam Clamp W/Cndt Push ½ EMT Ver Mnt
BC8PSM	BCLCCP8HM	Beam Clamp W/Cndt Push ½ EMT Hor Mnt
C23	BC92037	Beam Clamp Malleable For 3/8" Rod
CD0B	PCH0	Pipe & Conduit Hanger 3/8" & ½"
CD1B	PCH1	Pipe & Conduit Hanger ¾"
CD2.5B	PCH2.5	Pipe & Conduit Hanger 1-¼" EMT
CD2B	PCH2	Pipe & Conduit Hanger 1"
CD3B	PCH3	Pipe & Conduit Hanger 1-¼"
CD4B	PCH4	Pipe & Conduit Hanger 1-½"
CD5B	PCH5	Pipe & Conduit Hanger 2"
CD6B	PCH6	Pipe & Conduit Hanger 2-½"
CD7B	PCH7	Pipe & Conduit Hanger 3"
CD8B	PCH8	Pipe & Conduit Hanger 3-½"
CD9B	PCH9	Pipe & Conduit Hanger 4"
CHB	EBH	Electrical Box Hanger Std. Duty Center Clip W/ Screw
CJ6	CSSTS	Cable Support Strap To Stud
CNB12P	NBCCP12	Nail Brk W/Conduit Push ¾ EMT ½ RGD
CNB812M	NBCC812	Nail Bracket W/ Conduit Clip ½" - ¾"
CNB8P	NBCCP8	Nail Bracket W/Conduit Push ½ EMT
CS812	CTS812	Conduit Clip To Stud ½" - ¾" EMT MC/AC
FB12P	ABCCP12	Angle Brk W/Conduit Push ¾ EMT ½ RGD

Part Number		Description
Caddy	WESANCO	
FB812M	ABCC812	Angle Bracket W/ Conduit Clip ½" - ¾"
FB8P	ABCCP8	Angle Bracket W/Conduit Push ½ EMT
H26	BBSM	Box Bracket To Stud Mount
K12	WC12	Wing Clip ¾" To Rod Or Flange
K16	WC16	Wing Clip 1" To Rod Or Flange
K20	WC20	Wing Clip 1-¼" To Rod Or Flange
K8	WC8	Wing Clip ½" To Rod Or Flange
KX	WCBW	Wing Clip MC/AC Or Wire
M24	FCH24	Flange Clip Hammer- On ½" - ¼" Flange
M24S	FCH24S	Flange Hammer- On ½" - ¼" W/Stud
M58	FCH58	Flange Clip Hammer- On 5/16" - ½" Flange
M58S	FCH58S	Flange Hammer- On 5/16" - ½" W/Stud
M912	FCH912	Flange Clip Hammer- On 9/16" - ¾" Flange
M912S	FCH912S	Flange Hammer- On 9/16" - ¾" W/Stud
MP1	LVMP	Low Voltage Mounting Plate
MP1S	LVMN	Low Voltage Mounting Plate New C On Struction
MPLS	LVMS	Low Voltage Mounting Plate W/Screws
MSR24	FHS24SHR	Ham On Side ¼-¼ W/Strp Hanger Rght Ang
MSR58	FHS58SHR	Ham On Side 5/16-½ W/Strp Hanger Rgt Ang
MSR912	FHS912SHR	Ham On Side 9/16-¾ W/Strp Hanger Rgt Ang
MSS24	FHS24SHP	Ham On Side ¼-¼ W/Strap Hanger Paralel
MSS58	FHS58SHP	Ham On Side 5/16-½ W/Strp Hanger Paralel
MSS912	FHS912SHP	Ham On Side 9/16-¾ W/Strp Hanger Paralel
MSSAB	ABSHP	Angle Bracket W/Strap Hanger Paralel
SC2D	CFC2D	Cable To Fig 1/16-3/16- MC/AC .46-.56 O.D.
SC4D	CFC4D	Cable To Fig 3/16-9/32- MC/AC .46-.56 O.D.
SC4E	CFC4E	Cable To Fig 3/16-9/32- MC/AC .50-.72 O.D.
SC8D	CFC8D	Cable To Fig 5/16-1/2- MC/AC .46-.56 O.D.
SC8E	CFC8E	Cable To Fig 5/16-1/2- MC/AC .50-.72 O.D.
SMS8	SDTSLP8X½	8 X ½" Self Drilling & Tapping Low Profile Screw
TSGB16	ZBA18PG	Box Bracket Adjustable 11" - 18"
TSGB24	ZBA26PG	Box Bracket Adjustable 16" - 26"
VF14	FHV3	Flange Hanger - Vertical Standard ("C" Purlin)
VF144TI	FHV4RH4T	Flange Hanger W/Rod Hanger Thread Install ¼" Thread
VF146A	FHV3RH6	Flange Hanger Vertical W/Rod Push Install 3/8" Rod
VF146T	FHV4RTH6	Flange Hanger W/Rod Hanger Thread Install 13/32" Hole
VF146TI	FHV4RH6T	Flange Hanger W/Rod Hanger Thread Install 3/8" Thread
VF14708	FHV3RH4	Flange Hanger Vertical Standard W/Rod Hanger Push Install ¼" Rod Or #8 Wire

CADDY registered trademarks of ERICO International Corporation.

Part Number Cross Reference

Part Number		Description
B-Line	WESANCO	
B-3033 1/2	BC81050PL	Beam Clamp Malleable for 1/2" Rod Plain
B-3033 3/8	BC81037PL	Beam Clamp Malleable for 3/8" Rod Plain
B-3033 5/8	BC81062EG	Beam Clamp Malleable for 5/8" Rod EG
B-3034 1/2	BC8050PL	Beam Clamp Malleable for 1/2" Rod Plain
B-3034 3/4	BC8075PL	Beam Clamp Malleable for 3/4" Rod Plain
B-3034 3/8	BC8037PL	Beam Clamp Malleable for 3/8" Rod Plain
B-3034 5/8	BC8062PL	Beam Clamp Malleable for 5/8" Rod Plain
B-444 1/2	BC9050EG	Beam Clamp Malleable for 1/2" Rod EG
B-444 1/4	BC9025EG	Beam Clamp Malleable for 1/4" Rod EG
B-444 3/8	BC9037EG	Beam Clamp Malleable for 3/8" Rod EG
BA-4-16	TCS16	Twist Clip 15/16" w/Stud 1/4" X 3/4" w/ nut
BA-4-16-LN	TCB16	Twist Clip Base 15/16" w/Stud
BA-4-WN	TCW4	Twist Clip Wing Nut 1/4"-20
BA12	EBH24	Electrical Box Hanger Standard Duty 24" SPAN
BA15	SCT15	Support Clip Trofer & Lay In Tee Grid
BA5-4T	TBC1	T-Bar Clip Straight
BA6-4T	TBC2	T-Bar Clip Bent
BB10	LVMP	Low Voltage Mounting Plate
BB10L	LVMS	Low Voltage Mounting plate w/Screws
BB15	LVMN	Low Voltage Mounting Plate New Construction
BB2-16T	ZBA18PG	Box Bracket Adjustable 11" - 18"
BB2-24T	ZBA26PG	Box Bracket Adjustable 16" - 26"
BB27	EBH	Electrical Box Hanger Std. Duty Clip w/Screw
BB38	CTS812	Conduit Clip to Stud 1/2" - 3/4" EMT MC/AC
BB4-23	BC92037	Beam Clamp Malleable for 3/8" Rod
BB70	BBSM	Box Bracket to Stud Mount
BC-442	BC92025EG	Beam Clamp Malleable for 1/4" Rod EG
BC1	BCL	Beam Clamp 7/16" Hole
BD40	PSP2-6	Pipe Sleeve Positioner 2" to 6"
BD40	PSPA	Pipe Sleeve Positioner Any Size
BE-2-4	FSM24	Hammer-on Mount 1/8" - 1/4"
BE-5-8	FSM58	Hammer-on Mount 5/16" - 1/2"
BE-9-12	FSM912	Hammer-on Mount 9/16" - 3/4"
BF3	FHV3	Flange Hanger - Vertical Standard ("C" Purlin)
BF4	FHZ	Flange Hanger - "Z" Purlin
BG-16	CC16	Conduit Clip 1" w/ Hole
BG-16-4T	CCT16	Conduit Clip 1" w/ Threaded Hole
BG-16-A5	TBC1C16	T-Bar Clip w/ Conduit Clip 1" EMT RIGID
BG-16-A6	TBC2C16	T-Bar Clip w/ Conduit Clip 1" EMT RIGID
BG-16-B5	MSCCC16	Metal Stud Clip W/Conduit Clip 1"
BG-16-C1	BCC16HM	Beam Clamp w/ Conduit Clip 1" Horiz. Mount
BG-16-C2	BCC16VM	Beam Clamp w/ Conduit Clip 1" Vertical Mount

Part Number		Description
B-Line	WESANCO	
BG-16-E-2-4	FHS24CC16	Hammer-on Mount 1/8" - 1/4" w/ Conduit Clip 1"
BG-16-E-5-8	FHS58CC16	Hammer-on Mount 5/16" - 1/2" w/ Conduit Clip 1"
BG-16-E-9-12	FHS912CC16	Hammer-on Mount 9/16" - 3/4" w/ Conduit Clip 1"
BG-16-F2	FHV3CC16	Flange Hanger Vertical Std. w/ Conduit Clip 1"
BG-16-G-16	CC16CC16	1" Conduit Clip w/1" Conduit Clip
BG-16-G-20	CC16CC20	1" Conduit Clip w/1-1/4" Conduit Clip
BG-16-G-24	CC16CC24	1" Conduit Clip w/1-1/2" Conduit Clip
BG-16-G-32	CC16CC32	1" Conduit Clip w/2" Conduit Clip
BG-16-G-8-12	CC16CC812	1" Conduit Clip w/1/2" - 3/4" Conduit Clip
BG-16-U-2-4	FH24CC16	Flange Hammer-on 1/8" - 1/4" w/ Conduit Clip 1"
BG-16-U-5-8	FH58CC16	Flange Hammer-on 5/16" - 1/2" w/ Conduit Clip 1"
BG-16-U-9-12	FH912CC16	Flange Hammer-on 9/16" - 3/4" w/ Conduit Clip 1"
BG-16-W2	MFC16	Multi-Function Clip w/ Conduit Clip 1"
BG-20	CC20	Conduit Clip 1-1/4" w/ Hole
BG-20-4T	CCT20	Conduit Clip 1-1/4" w/ Threaded Hole
BG-20-B5	MSCCC20	Metal Stud Clip W/Cond Clip 1 1/4
BG-20-C1	BCC20HM	Beam Clamp w/ Conduit Clip 1-1/4" Horiz. Mount
BG-20-C2	BCC20CM	Beam Clamp w/ Conduit Clip 1-1/4" Vert. Mount
BG-20-E-2-4	FHS24CC20	Hammer-on 1/8" - 1/4" w/ Conduit Clip 1-1/4"
BG-20-E-5-8	FHS58CC20	Hammer-on 5/16" - 1/2" w/ Conduit Clip 1-1/4"
BG-20-E-9-12	FHS912CC20	Hammer-on 9/16" - 3/4" w/ Conduit Clip 1-1/4"
BG-20-U-2-4	FH23CC20	Flange Hammer-on 1/8" - 1/4" w/ Conduit Clip 1-1/4"
BG-20-U-5-8	FH58CC20	Flange Hammer-on 5/16" - 1/2" w/Conduit Clip 1-1/4"
BG-20-U-9-12	FH912CC20	Flange Hammer-on 9/16" - 3/4" w/Conduit Clip 1-1/4"
BG-24	CC24	Conduit Clip 1-1/2" w/ Hole
BG-24-4T	CCT24	Conduit Clip 1-1/2" w/ Threaded Hole
BG-24-C1	BCC24HM	Beam Clamp w/ Conduit Clip 1-1/2" Horiz. Mount
BG-24-C2	BCC24VM	Beam Clamp w/ Conduit Clip 1-1/2" Vert. Mount
BG-24-E-2-4	FHS24CC24	Hammer-on 1/8" - 1/4" w/ Conduit Clip 1-1/2"
BG-24-E-5-8	FHS58CC24	Hammer-on 5/16" - 1/2" w/ Conduit Clip 1-1/2"
BG-24-E-9-12	FHS912CC24	Hammer-on 9/16" - 3/4" w/ Conduit Clip 1-1/2"
BG-24-U-2-4	FH24CC24	Flange Hammer-on 1/8" - 1/4" w/ Conduit Clip 1-1/2"
BG-24-U-5-8	FH58CC24	Flange Hammer-on 5/16" - 1/2" w/Conduit Clip 1-1/2"
BG-24-U-9-12	FH912CC24	Flange Hammer-on 9/16" - 3/4" w/Conduit Clip 1-1/2"
BG-32	CC32	Conduit Clip 2" w/ Hole
BG-32-4T	CCT32	Conduit Clip 2" w/ Threaded Hole
BG-32-C1	BCC32HM	Beam Clamp w/ Conduit Clip 2" Horiz. Mount
BG-32-C2	BCC32VM	Beam Clamp w/ Conduit Clip 2" Vertical Mount
BG-32-E-2-4	FHS24CC32	Hammer-on Mount 1/8" - 1/4" w/ Conduit Clip 2"
BG-32-E-5-8	FHS58CC32	Hammer-on Mount 5/16" - 1/2" w/ Conduit Clip 2"
BG-32-E-9-12	FHS912CC32	Hammer-on Mount 9/16" - 3/4" w/ Conduit Clip 2"
BG-32-U-2-4	FH24CC32	Flange Hammer-on 1/8" - 1/4" w/ Conduit Clip 2"

Part Number Cross Reference

Part Number		Description
B-Line	WESANCO	
BG-32-U-5-8	FH58CC32	Flange Hammer-on 5/16" - 1/2" w/ Conduit Clip 2"
BG-32-U-9-12	FH912CC32	Flange Hammer-on 9/16" - 3/4" w/ Conduit Clip 2"
BG-8-12	CC812	Conduit Clip 1/2" - 3/4" w/ Hole
BG-8-12-4T	CCT812	Conduit Clip 1/2" - 3/4" w/ Threaded Hole
BG-8-12-A5	TBC1C812	T-Bar Clip w/ Conduit Clip 1/2" - 3/4" EMT RIGID
BG-8-12-A6	TBC2C812	T-Bar Clip w/ Conduit Clip 1/2" - 3/4" EMT RIGID
BG-8-12-B5	MSCCC812	Metal Stud Clip W/Cnd. Clip 1/2"-3/4"
BG-8-12-C1	BCC812HM	Beam Clamp w/Cnd. Clip 1/2" - 3/4" Horiz. Mount
BG-8-12-C2	BCC812VM	Beam Clamp w/Conduit Clip 1/2" - 3/4" Vert. Mount
BG-8-12-D3	NBCC812	Nail Bracket w/ Conduit Clip 1/2" - 3/4"
BG-8-12-E-2-4	FHS24CC812	Hammer-on 1/8" - 1/4" w/ Conduit Clip 1/2" - 3/4"
BG-8-12-E-5-8	FHS58CC812	Hammer-on 5/16" - 1/2" w/ Conduit Clip 1/2" - 3/4"
BG-8-12-E-9-12	FHS912CC812	Hammer-on 9/16" - 3/4" w/ Conduit Clip 1/2" - 3/4"
BG-8-12-F2	FHV3CC812	Flange Hanger Vertical Standard w/ Conduit Clip 1/2" - 3/4"
BG-8-12-H7	ABCC812	Angle Bracket w/ Conduit Clip 1/2" - 3/4"
BG-8-12-U-2-4	FH24CC812	Flange Hammer-on 1/8" - 1/4" w/Cndt. Clip 1/2" - 3/4"
BG-8-12-U-5-8	FH58CC812	Flange Hammer-on 5/16" - 1/2" w/Cndt. Clip 1/2" - 3/4"
BG-8-12-U-9-12	FH912CC812	Flange Hammer-on 9/16" - 3/4" w/Cndt. Clip 1/2" - 3/4"
BG-8-12-W2	MFC812	Multi-Function Clip w/ Conduit Clip 1/2" - 3/4"
BH-2-4	FHS24SHP	Ham On Side 1/8"-1/4" W/Strap Hanger Paralel
BH-2-4-R	FHS24SHR	Ham On Side 1/8"-1/4" W/Strp Hanger Rght Ang
BH-5-8	FHS58SHP	Ham On Side 5/16"-1/2" W/Strp Hanger Paralel
BH-5-8-R	FHS58SHR	Ham On Side 5/16"-1/2" W/Strp Hanger Rgt Ang
BH-9-12	FHS912SHP	Ham On Side 9/16"-3/4" W/Strp Hanger Paralel
BH-9-12-R	FHS912SHR	Ham On Side 9/16"-3/4" W/Strp Hanger Rgt Ang
BH-H7	ABSHP	Angle Bracket W/Strap Hanger Paralel
BH1	RHP4	Rod Hanger Push Install 1/4" Rod, #8 Wire
BH1-E-2-4	FH24RHP4	Hammer-on 1/8" - 1/4" w/Rod Hanger Push Install 1/4" Rod or #8 Wire
BH1-E-5-8	FH58RHP4	Hammer-on 5/16" - 1/2" w/Rod Hanger Push Install 1/4" Rod or #8 Wire
BH1-E-9-12	FH912RHP4	Hammer-on 9/16" - 3/4" w/Rod Hanger Push Install 1/4" Rod or #8 Wire
BH1-F3	FHV3RH4	Flange Hanger Vertical Standard w/Rod Hanger Push Install 1/4" Rod or #8 Wire
BH1-F4	FHZRH4	Flange Hanger Z Purlin w/Rod Hanger Push Install 1/4" Rod or #8 Wire
BH1-H7	ABRH4	Angle Bracket w/Rod Hanger Push Install 1/4" Rod or #8 Wire
BH2	RHP6	Rod Hanger Push Install 3/8" Rod
BH2-E-2-4	FH24RHP6	Hammer-on 1/8" - 1/4" w/Rod Hanger Push 3/8" Rod
BH2-E-5-8	FH58RHP6	Hammer-on 5/16" - 1/2" Rod Hanger Push 3/8" Rod
BH2-E-9-12	FH912RHP6	Hammer-on 9/16" - 3/4" Rod Hanger Push 3/8" Rod

Part Number		Description
B-Line	WESANCO	
BH2-F3	FHV3RH6	Flange Hanger Vertical Standard w/Rod Hanger Push Install 3/8" Rod
BH2-F4	FHZRH6	Flange Hngr Z Purlin Rod Hanger Push 3/8" Rod
BH2-H7	ABRH6	Angle Bracket w/Rod Hanger Push 3/8" Rod
BH4	RHT4T	Rod Hanger Thread Install 1/4" Thread
BH4-E-2-4	FH24RH4T	Hammer-on 1/8" - 1/4" w/Rod Hanger Thread 1/4"
BH4-E-5-8	FH58RH4T	Hammer-on 5/16" - 1/2" w/Rod Hanger Thread 1/4"
BH4-E-9-12	FH912RH4T	Hammer-on 9/16" - 3/4" w/Rod Hanger Thread 1/4"
BH4-F3	FHV3RH4T	Flange Hanger V Standard w/Rod Hanger Thread Install 1/4" Thread
BH4-F4	FHZRH4T	Flange Hanger Z Purlin w/Rod Hanger Thread 1/4"
BH4-H7	ABRH4T	Angle Bracket w/Rod Hanger Thread 1/4" Thread
BH5	RHT6	Rod Hanger Thread Install 13/32" Hole
BH5-E-2-4	FH24RH6	Hmr-on 1/8" - 1/4" Rod Hanger Thread 13/32" Hole
BH5-E-5-8	FH58RH6	Hmr-on 5/16" - 1/2" Rod Hanger Thread 13/32" Hole
BH5-E-9-12	FH912RH6	Hmr-on 9/16" - 3/4" Rod Hanger Thread 13/32" Hole
BH5-F3	FHV3RTH6	Flange Hanger V Standard w/Rod Hanger Thread Install 13/32" Hole
BH5-F4	FHZRTH6	Flange Hanger Z Purlin w/Rod Hanger Thread Install 13/32" Hole
BH5-H7	ABRTH6	Angle Bracket w/Rod Hanger Thread 13/32" Hole
BH6	RHT6T	Rod Hanger Thread Install 3/8" Thread
BH6-E-2-4	FH24RH6T	Hammer-on 1/8" - 1/4" w/Rod Hanger Thread 3/8"
BH6-E-5-8	FH58RH6T	Hammer-on 5/16" - 1/2" w/Rod Hanger Thread 3/8"
BH6-E-9-12	FH912RH6T	Hammer-on 9/16" - 3/4" w/Rod Hanger Thread 3/8"
BH6-F3	FHV3RH6T	Flange Hanger V w/Rod Hanger Thread 3/8"
BH6-F4	FHZRH6T	Flange Hanger Z Purlin w/Rod Hanger Thread Install 3/8" Thread
BH6-H7	ABRH6T	Angle Bracket w/Rod Hanger Thread 3/8" Thread
BH7	AB04	Angle Bracket 1/4" Holes
BH7-6	AB06	Angle Bracket 3/8" Hole Size
BL1400	PCH0	Pipe and Conduit Hanger 3/8" and 1/2"
BL1410	PCH1	Pipe and Conduit Hanger 3/4"
BL1420	PCH2	Pipe and Conduit Hanger 1"
BL1425	PCH2.5	Pipe and Conduit Hanger 1-1/4" EMT
BL1430	PCH3	Pipe and Conduit Hanger 1-1/4"
BL1440	PCH4	Pipe and Conduit Hanger 1-1/2"
BL1450	PCH5	Pipe and Conduit Hanger 2"
BL1460	PCH6	Pipe and Conduit Hanger 2-1/2"
BL1470	PCH7	Pipe and Conduit Hanger 3"
BL1480	PCH8	Pipe and Conduit Hanger 3-1/2"
BL1490	PCH9	Pipe and Conduit Hanger 4"
BP-12	CCP12	Conduit Push In, 3/4 EMT-1/2 Rgd, 1/4 Hs
BP-12-A5	TBCSMCCP12	Tee Bar Clip Side Mt W/Push3/4EMT 1/2Rgd

Part Number Cross Reference

Part Number		Description
B-Line	WESANCO	
BP-12-A6	TBCTMCCP12	Tee Bar Clip Top Mt W/Push ¾ EMT ½ Rgd
BP-12-B5	MSCCCP12	Metal Stud Clip W/Push ¾ EMT ½ Rgd
BP-12-C1	BCLCCP12HM	Beam Clmp W/Push ¾ EMT ½ Rgd Hor Mnt
BP-12-C2	BCLCCP12VM	Beam Clmp W/Push ¾ EMT ½ Rgd Ver Mnt
BP-12-D3	NBCCP12	Nail Brk W/Conduit Push ¾ EMT ½ Rgd
BP-12-E-2-4	FHS24CCP12	Ham On Side ⅙-¼ W/Push ¾ EMT ½ Rgd
BP-12-E-5-8	FHS58CCP12	Hamon Side ⅕-½ W/Push ¾ EMT ½ Rgd
BP-12-E-9-12	FHS912CCP12	Hamon Side ⅙-¾ W/Push ¾ EMT ½ Rgd
BP-12-H7	ABCCP12	Angle Brk W/Conduit Push ¾ EMT ½ Rgd
BP-12-P-12	CCP12CCP12	Cndt Push ¾ EMT ½ Rgd W/Push ¾ EMT ½ Rgd
BP-12-P-16	CCP12CCP16	Cndt Push ¾ EMT ½ Rgd W/Push 1 EMT ¾ Rgd
BP-12-U-2-4	FH24CCP12	Fling Ham On ⅙-¼ W/Push ¾ EMT ½ Rgd
BP-12-U-5-8	FH58CCP12	Fling Ham On ⅕-½ W/Push ¾ EMT ½ Rgd
BP-12-U-9-12	FH912CCP12	Fling Ham On ⅙-¾ W/Push ¾ EMT ½ Rgd
BP-12-W2	MFCCCP12	Multi-Functn Clip W/Push ¾ EMT ½ Rgd
BP-16	CCP16	Conduit Push In, 1 EMT-¾ Rgd, ¼" Hs
BP-16-A5	TBCSMCCP16	Tee Bar Clip Side Mt W/Push 1 EMT ¾ Rgd
BP-16-A6	TBCTMCCP16	Tee Bar Clip Top Mt W/Push 1 EMT ¾ Rgd
BP-16-B5	MSCCCP16	Metal Stud Clip W/Push 1 EMT ¾ Rgd
BP-16-C1	BCLCCP16HM	Beam Clmp W/Push 1 EMT ¾ Rgd Hor Mnt
BP-16-C2	BCLCCP16VM	Beam Clmp W/Push 1 EMT ¾ Rgd Ver Mnt
BP-16-E-2-4	FHS24CCP16	Ham On Side ⅙-¼ W/Push 1 EMT ¾ Rgd
BP-16-E-5-8	FHS58CCP16	Hamon Side ⅕-½ W/Push 1 EMT ¾ Rgd
BP-16-E-9-12	FHS912CCP16	Hamon Side ⅙-¾ W/Push 1 EMT ¾ Rgd
BP-16-P-16	CCP16CCP16	Cndt Push 1 EMT ¾ Rgd W/Push 1 EMT ¾ Rgd
BP-16-U-2-4	FH24CCP16	Fling Ham On ⅙-¼ W/Push 1 EMT ¾ Rgd
BP-16-U-5-8	FH58CCP16	Fling Ham On ⅕-½ W/Push 1 EMT ¾ Rgd
BP-16-U-9-12	FH912CCP16	Fling Ham On ⅙-¾ W/Push 1 EMT ¾ Rgd
BP-16-W2	MFCCCP16	Multi-Functn Clip W/Push 1 EMT ¾ Rgd
BP-8	CCP8	Conduit Push In, ½ EMT, ¼ Mtg Hole
BP-8-A5	TBCSMCCP8	Tee Bar Clip Side Mt W/Cndt Push ½ EMT
BP-8-A6	TBCTMCCP8	Tee Bar Clip Top Mt W/Cndt Push ½ EMT
BP-8-B5	MSCCCP8	Metal Stud Clip W/Cndt Push ½ EMT
BP-8-C1	BCLCCP8HM	Beam Clmp W/Cndt Push ½ EMT Hor Mnt
BP-8-C2	BCLCCP8VM	Beam Clmp W/Cndt Push ½ EMT Ver Mnt
BP-8-D3	NBCCP8	Nail Bracket W/Conduit Push ½ EMT
BP-8-E-2-4	FHS24CCP8	Ham On Side ⅙-¼ W/Cndt Push ½ EMT
BP-8-E-5-8	FHS58CCP8	Ham On Side ⅕-½ W/Cndt Push ½ EMT
BP-8-E-9-12	FHS912CCP8	Ham On Side ⅙-¾ W/Cndt Push ½ EMT
BP-8-H7	ABCCP8	Angle Bracket W/Conduit Push ½ EMT
BP-8-P-12	CCP8CCP12	Cndt Push ½ EMT W/Push ¾ EMT ½ Rgd
BP-8-P-16	CCP8CCP16	Cndt Push ½ EMT W/Push 1 EMT ¾ Rgd
BP-8-P-8	CCP8CCP8	Cndt Push ½ EMT W/Cndt Push ½ EMT

Part Number		Description
B-Line	WESANCO	
BP-8-U-2-4	FH24CCP8	Fling Ham On ⅙-¼ W/Cndt Push ½ EMT
BP-8-U-5-8	FH58CCP8	Fling Ham On ⅕-½ W/Cndt Push ½ EMT
BP-8-U-9-12	FH912CCP8	Fling Ham On ⅙-¾ W/Cndt Push ½ EMT
BP-8-W2	MFCCCP8	Multi-Functn Clip W/Cndt Push ½ EMT
BR-12-T	BR1012	Threaded Bridle Ring, ¾" dia, #10 Screw, Metal
BR-20-4T	BR2520	Threaded Bridle Ring, 1 ¼" dia, ¼" Screw, Metal
BR-20-T	BR1020	Threaded Bridle Ring, 1 ¼" dia, #10 Screw, Metal
BR-32-4T	BR2532	Threaded Bridle Ring, 2" dia, ¼" Screw, Metal
BR-32-4W	BR2532WS	Threaded Bridle Ring, 2" dia, ¼" Screw, Wood
BR-32-T	BR1032	Threaded Bridle Ring, 2" dia, #10 Screw, Metal
BRCJ	CSSTS	Cable Support Strap to Stud
BU-2-4	FCH24	Flange Clip Hammer-on ⅙" - ¼" Flange
BU-2-4-S	FCH24S	Flange Hammer-on ⅙" - ¼" w/Stud
BU-5-8	FCH58	Flange Clip Hammer-on ⅕" - ½" Flange
BU-5-8-S	FCH58S	Flange Hammer-on ⅕" - ½" w/Stud
BU-9-12	FCH912	Flange Clip Hammer-on ⅙" - ¾" Flange
BU-9-12-S	FCH912S	Flange Hammer-on ⅙" - ¾" w/Stud
BW-12	WC12	Wing Clip ¾" to Rod or Flange
BW-16	WC16	Wing Clip 1" to Rod or Flange
BW-20	WC20	Wing Clip 1-¼" to Rod or Flange
BW-4	WCBW	Wing Clip MC/AC or Wire
BW-8	WC8	Wing Clip ½" to Rod or Flange
BW2	MFC	Multi-Function Clip
BW2S	MFCS	Multi-Function Clip w/Stud
BWHS-9D	SDTSLP8X½	8 x ½" Self Drilling & Tapping Low Profile Screw
BX9	CCMS	Cable Clip MC/AC to Metal Stud
BXL-1214	CFC8D	Cable To Flg ⅕-½- MC/AC .46-.56 O.D.
BXL-1519	CFC8E	Cable To Flg ⅕-½- MC/AC .50-.72 O.D.
BXM-1214	CFC4D	Cable To Flg ⅙-¾- MC/AC .46-.56 O.D.
BXM-1519	CFC4E	Cable To Flg ⅙-¾- MC/AC .50-.72 O.D.
BXS-1214	CFC2D	Cable To Flg ⅙-¾- MC/AC .46-.56 O.D.

Part Number Cross Reference

Part Number		Description
T & B	WESANCO	
502	BC9037EG	Beam Clamp Malleable For 3/8" Rod EG
500-SC	BC9025EG	Beam Clamp Malleable For 1/4" Rod EG
503-SC	BC9050EG	Beam Clamp Malleable For 1/2" Rod EG
6H0 B	PCH0	Pipe And Conduit Hanger 3/8" and 1/2"
6H1 B	PCH1	Pipe And Conduit Hanger 3/4"
6H2 1/2 B	PCH2.5	Pipe And Conduit Hanger 1-1/4" EMT
6H2 B	PCH2	Pipe And Conduit Hanger 1"
6H3 B	PCH3	Pipe And Conduit Hanger 1-1/4"
6H4 B	PCH4	Pipe And Conduit Hanger 1-1/2"
6H5 B	PCH5	Pipe And Conduit Hanger 2"
6H6 B	PCH6	Pipe And Conduit Hanger 2-1/2"
6H7 B	PCH7	Pipe And Conduit Hanger 3"
6H8 B	PCH8	Pipe And Conduit Hanger 3-1/2"
6H9 B	PCH9	Pipe And Conduit Hanger 4"
BC1-TB	BC92025EG	Beam Clamp Malleable For 1/4" Rod EG
M777 1/2	BC8050PL	Beam Clamp Malleable For 1/2" Rod Plain
M777 1/2 EG	BC8050EG	Beam Clamp Malleable For 1/2" Rod EG
M777 3/4	BC8075PL	Beam Clamp Malleable For 3/4" Rod Plain
M777 3/4 EG	BC8075EG	Beam Clamp Malleable For 3/4" Rod EG
M777 3/8	BC8037PL	Beam Clamp Malleable For 3/8" Rod Plain
M777 3/8 EG	BC8037EG	Beam Clamp Malleable For 3/8" Rod EG
M777 5/8	BC8062PL	Beam Clamp Malleable For 5/8" Rod Plain
M777 5/8 EG	BC8062EG	Beam Clamp Malleable For 5/8" Rod EG
M778 1/2	BC81050PL	Beam Clamp Malleable For 1/2" Rod Plain
M778 1/2 EG	BC81050EG	Beam Clamp Malleable For 1/2" Rod EG
M778 3/8	BC81037PL	Beam Clamp Malleable For 3/8" Rod Plain
M778 3/8 EG	BC81037EG	Beam Clamp Malleable For 3/8" Rod EG
M778 5/8	BC81062PL	Beam Clamp Malleable For 5/8" Rod Plain
M778 5/8 EG	BC81062EG	Beam Clamp Malleable For 5/8" Rod EG
SF-HB3/8	RHP6	Rod Hanger Push Install 3/8" Rod
SSF-BA1/4	FHZ	Flange Hanger - "Z" Purlin
SSF-BA1/4-A1/4T	FHZRH4T	Flange Hanger Z Purlin W/Rod Hanger Thread Install 1/4" Thread
SSF-BA1/4-A3/8	FHZRTH6	Flange Hanger Z Purlin W/Rod Hanger Thread Install 13/32" Thru Hole
SSF-BA1/4-A3/8T	FHZRH6T	Flange Hanger Z Purlin W/Rod Hanger Thread Install 3/8" Thread
SSF-BA1/4-B1/4"	FHZRH4	Flange Hanger Z Purlin W/Rod Hanger Push Install 1/4" Rod Or #8 Wire
SSF-BA1/4-B3/8	FHZRH6	Flange Hanger Z Purlin W/Rod Hanger Push Install 3/8" Rod
SSF-BBC	BCL	Beam Clamp 7/16" Thru Hole
SSF-BBC-C1 1/2H	BCC24HM	Beam Clamp W/Conduit Clip 1-1/2" Horiz. Mount
SSF-BBC-C1 1/2V	BCC24VM	Beam Clamp W/ Conduit Clip 1-1/2" Vertical Mount
SSF-BBC-C1 1/4H	BCC20HM	Beam Clamp W/ Conduit Clip 1-1/4" Horiz. Mount
SSF-BBC-C1 1/4V	BCC20CM	Beam Clamp W/ Conduit Clip 1-1/4" Vertical Mount
SSF-BBC-C1/2 3/4H	BCC812HM	Beam Clamp W/ Conduit Clip 1/2" - 3/4" Horiz. Mount
SSF-BBC-C1/2 3/4V	BCC812VM	Beam Clamp W/ Conduit Clip 1/2" - 3/4" Vertical Mount
SSF-BBC-C1H	BCC16HM	Beam Clamp W/ Conduit Clip 1" Horiz. Mount

Part Number		Description
T & B	WESANCO	
SSF-BBC-C1V	BCC16VM	Beam Clamp W/ Conduit Clip 1" Vertical Mount
SSF-BBC-C2H	BCC32HM	Beam Clamp W/ Conduit Clip 2" Horiz. Mount
SSF-BBC-C2V	BCC32VM	Beam Clamp W/ Conduit Clip 2" Vertical Mount
SSF-BBC-S1/2V	BCLCCP8VM	Beam Clmp W/Cndt Push 1/2 EMT Ver Mnt
SSF-BBC-S1V	BCLCCP16VM	Beam Clmp W/Push 1 EMT 3/4 Rgd Ver Mnt
SSF-BBC-S3/4V	BCLCCP12VM	Beam Clmp W/Push 3/4 EMT 1/2 Rgd Ver Mnt
SSF-BF1/2	FSM58	Hammer-On Mount 5/16" - 1/2"
SSF-BF1/4	FSM24	Hammer-On Mount 1/8" - 1/4"
SSF-BF3/4	FSM912	Hammer-On Mount 9/16" - 3/4"
SSF-BH1/2	FCH58	Flange Clip Hammer-On 5/16" - 1/2" Flange
SSF-BH1/2S	FCH58S	Flange Hammer-On 5/16" - 1/2" W/Stud
SSF-BH1/4	FCH24	Flange Clip Hammer-On 1/8" - 1/4" Flange
SSF-BH1/4S	FCH24S	Flange Hammer-On 1/8" - 1/4" W/Stud
SSF-BH3/4	FCH912	Flange Clip Hammer-On 9/16" - 3/4" Flange
SSF-BH3/4S	FCH912S	Flange Hammer-On 9/16" - 3/4" W/Stud
SSF-BV1/4	FHV3	Flange Hanger Vertical Standard ("C" Purlin)
SSF-BV1/4-A1/4T	FHV3RH4T	Flange Hanger V Standard W/Rod Hanger Thread Install 1/4" Thread
SSF-BV1/4-A3/8	FHV3RTH6	Flange Hanger V Standard W/Rod Hanger Thread Install 13/32" Thru Hole
SSF-BV1/4-A3/8T	FHV3RH6T	Flange Hanger V Standard W/Rod Hanger Thread Install 3/8" Thread
SSF-BV1/4-B1/4"	FHV3RH4	Flange Hanger Vertical Standard W/Rod Hanger Push Install 1/4" Rod Or #8 Wire
SSF-BV1/4-B3/8	FHV3RH6	Flange Hanger Vertical Standard W/Rod Hanger Push Install 3/8" Rod
SSF-BV1/4-C1	FHV3CC16	Flange Hanger Vertical Standard W/ Conduit Clip 1"
SSF-BV1/4-C1/2 3/4	FHV3CC812	Flange Hanger Vertical Standard W/ Conduit Clip 1/2" - 3/4"
SSF-CC1	CC16	Conduit Clip 1" W/ Thru Hole
SSF-CC1 1/2	CC24	Conduit Clip 1-1/2" W/ Thru Hole
SSF-CC1 1/2-F1/2	FHS58CC24	Hammer-On 5/16" - 1/2" W/ Conduit Clip 1-1/2"
SSF-CC1 1/2-F1/4	FHS24CC24	Hammer-On 1/8" - 1/4" W/ Conduit Clip 1-1/2"
SSF-CC1 1/2-F3/4	FHS912CC24	Hammer-On 9/16" - 3/4" W/ Conduit Clip 1-1/2"
SSF-CC1 1/2-H1/2	FH58CC24	Flange Hammer-On 5/16" - 1/2" W/ Conduit Clip 1-1/2"
SSF-CC1 1/2-H1/4	FH24CC24	Flange Hammer-On 1/8" - 1/4" W/ Conduit Clip 1-1/2"
SSF-CC1 1/2-H3/4	FH912CC24	Flange Hammer-On 9/16" - 3/4" W/ Conduit Clip 1-1/2"
SSF-CC1 1/2T	CCT24	Conduit Clip 1-1/2" W/ Threaded Hole
SSF-CC1 1/4	CC20	Conduit Clip 1-1/4" W/ Thru Hole
SSF-CC1 1/4-F1/2	FHS58CC20	Hammer-On 5/16" - 1/2" W/ Conduit Clip 1-1/4"
SSF-CC1 1/4-F1/4	FHS24CC20	Hammer-On 1/8" - 1/4" W/ Conduit Clip 1-1/4"
SSF-CC1 1/4-F3/4	FHS912CC20	Hammer-On 9/16" - 3/4" W/ Conduit Clip 1-1/4"
SSF-CC1 1/4-H1/2	FH58CC20	Flange Hammer-On 5/16" - 1/2" W/ Conduit Clip 1-1/4"
SSF-CC1 1/4-H1/4	FH23CC20	Flange Hammer-On 1/8" - 1/4" W/ Conduit Clip 1-1/4"
SSF-CC1 1/4-H3/4	FH912CC20	Flange Hammer-On 9/16" - 3/4" W/ Conduit Clip 1-1/4"
SSF-CC1 1/4T	CCT20	Conduit Clip 1-1/4" W/ Threaded Hole
SSF-CC1-C1	CC16CC16	1" Conduit Clip W/ 1" Conduit Clip

Part Number Cross Reference

Part Number		Description
T & B	WESANCO	
SSF-CC1-C1 1/2	CC16CC24	1" Conduit Clip W/ 1-1/2" Conduit Clip
SSF-CC1-C1 1/4	CC16CC20	1" Conduit Clip W/ 1-1/4" Conduit Clip
SSF-CC1-C1 3/4	CC16CC812	1" Conduit Clip W/ 1/2" - 3/4" Conduit Clip
SSF-CC1-C2	CC16CC32	1" Conduit Clip W 1/2" Conduit Clip
SSF-CC1-F1/2	FHS58CC16	Hammer-On Mount 5/16" - 1/2" W/ Conduit Clip 1"
SSF-CC1-F1/4	FHS24CC16	Hammer-On Mount 1/8" - 1/4" W/ Conduit Clip 1"
SSF-CC1-F3/4	FHS912CC16	Hammer-On Mount 9/16" - 3/4" W/ Conduit Clip 1"
SSF-CC1-H1/2	FH58CC16	Flange Hammer-On 5/16" - 1/2" W/ Conduit Clip 1"
SSF-CC1-H1/4	FH24CC16	Flange Hammer-On 1/8" - 1/4" W/ Conduit Clip 1"
SSF-CC1-H3/4	FH912CC16	Flange Hammer-On 9/16" - 3/4" W/ Conduit Clip 1"
SSF-CC1/2 3/4-F1/2	FHS58CC812	Hammer-On 5/16" - 1/2" W/ Conduit Clip 1/2" - 3/4"
SSF-CC1/2 3/4-F1/4	FHS24CC812	Hammer-On 1/8" - 1/4" W/ Conduit Clip 1/2" - 3/4"
SSF-CC1/2 3/4-F3/4	FHS912CC812	Hammer-On 9/16" - 3/4" W/ Conduit Clip 1/2" - 3/4"
SSF-CC1/2 3/4-FB	NBCC812	Nail Bracket W/ Conduit Clip 1/2" - 3/4"
SSF-CC1/2 3/4-H1/2	FH58CC812	Flange Hammer-On 5/16" - 1/2" W/ Conduit Clip 1/2" - 3/4"
SSF-CC1/2 3/4-H1/4	FH24CC812	Flange Hammer-On 1/8" - 1/4" W/ Conduit Clip 1/2" - 3/4"
SSF-CC1/2 3/4-H3/4	FH912CC812	Flange Hammer-On 9/16" - 3/4" W/ Conduit Clip 1/2" - 3/4"
SSF-CC1/2 - 3/4	CC812	Conduit Clip 1/2" - 3/4" W/ Thru Hole
SSF-CC1/2-3/4T	CCT812	Conduit Clip 1/2" - 3/4" W/ Threaded Hole
SSF-CC1T	CCT16	Conduit Clip 1" W/ Threaded Hole
SSF-CC2	CC32	Conduit Clip 2" W/ Thru Hole
SSF-CC2-F1/2	FHS58CC32	Hammer-On Mount 5/16" - 1/2" W/ Conduit Clip 2"
SSF-CC2-F1/4	FHS24CC32	Hammer-On Mount 1/8" - 1/4" W/ Conduit Clip 2"
SSF-CC2-F3/4	FHS912CC32	Hammer-On Mount 9/16" - 3/4" W/ Conduit Clip 2"
SSF-CC2-H1/2	FH58CC32	Flange Hammer-On 5/16" - 1/2" W/ Conduit Clip 2"
SSF-CC2-H1/4	FH24CC32	Flange Hammer-On 1/8" - 1/4" W/ Conduit Clip 2"
SSF-CC2-H3/4	FH912CC32	Flange Hammer-On 9/16" - 3/4" W/ Conduit Clip 2"
SSF-CC2T	CCT32	Conduit Clip 2" W/ Threaded Hole
SSF-CEL562	CFC8D	Cable To Flg 5/16"-1/2- MC/AC .46-.56 OD
SSF-CEL718	CFC8E	Cable To Flg 5/16"-1/2- MC/AC .50-.72 OD
SSF-CEM562	CFC4D	Cable To Flg 3/16-9/32- MC/AC .46-.56 OD
SSF-CEM718	CFC4E	Cable To Flg 3/16-9/32- MC/AC .50-.72 OD
SSF-CES562	CFC2D	Cable To Flg 1/16-3/16- MC/AC .46-.56 OD
SSF-CK1	WC16	Wing Clip 1" To Rod Or Flange
SSF-CK1	WC20	Wing Clip 1-1/4" To Rod Or Flange
SSF-CK1/2	WC8	Wing Clip 1/2" To Rod Or Flange
SSF-CK3/4	WC12	Wing Clip 3/4" To Rod Or Flange
SSF-CK535	WCBW	Wing Clip MC/AC Or Wire
SSF-CM535	CCMS	Cable Clip MC/AC To Metal Stud
SSF-CS1	CCP16	Conduit Push In, 1 EMT-3/4 Rgd, 1/4" Hs
SSF-CS1-F1/2	FHS58CCP16	Ham on Side 5/16"-1/2 W/Push 1 EMT 3/4 Rgd
SSF-CS1-F1/4	FHS24CCP16	Ham On Side 1/8"-1/4 W/Push 1 EMT 3/4 Rgd
SSF-CS1-F3/4	FHS912CCP16	Ham on Side 9/16"-3/4 W/Push 1 EMT 3/4 Rgd
SSF-CS1-H1/2	FH58CCP16	Fing Ham On 5/16"-1/2 W/Push 1 EMT 3/4 Rgd
SSF-CS1-H1/4	FH24CCP16	Fing Ham On 1/8"-1/4 W/Push 1 EMT 3/4 Rgd
SSF-CS1-S1	CCP16CCP16	Cndt Push 1EMT 3/4Rgd W/Push 1" EMT 3/4" Rgd
SSF-CS1/2	CCP8	Conduit Push In, 1/2 EMT, 1/4 Mtg Hole
SSF-CS1/2-F1/2	FHS58CCP8	Ham On Side 5/16"-1/2 W/Cndt Push 1/2 EMT

Part Number		Description
T & B	WESANCO	
SSF-CS1/2-F1/4	FHS24CCP8	Ham On Side 1/8"-1/4 W/Cndt Push 1/2 EMT
SSF-CS1/2-F3/4	FHS912CCP8	Ham On Side 9/16"-3/4 W/Cndt Push 1/2 EMT
SSF-CS1/2-FB	NBCCP8	Nail Bracket W/Conduit Push 1/2 EMT
SSF-CS1/2-H1/2	FH58CCP8	Fing Ham On 5/16"-1/2 W/Cndt Push 1/2 EMT
SSF-CS1/2-H1/4	FH24CCP8	Fing Ham On 1/8"-1/4 W/Cndt Push 1/2 EMT
SSF-CS1/2-H3/4	FH912CCP8	Fing Ham On 9/16"-3/4 W/Cndt Push 1/2 EMT
SSF-CS1/2-H3/4	FH912CCP12	Fing Ham On 9/16"-3/4 W/Push 3/4 EMT 1/2 Rgd
SSF-CS1/2-OB	ABCCP8	Angle Bracket W/Conduit Push 1/2 EMT
SSF-CS1/2-S1	CCP8CCP16	Cndt Push 1/2 EMT W/Push 1 EMT 3/4 Rgd
SSF-CS1/2-S1/2	CCP8CCP8	Cndt Push 1/2 EMT W/Cndt Push 1/2 EMT
SSF-CS1/2-S3/4	CCP8CCP12	Cndt Push 1/2 EMT W/Push 3/4 EMT 1/2 Rgd
SSF-CS3/4	CCP12	Conduit Push In, 3/4 EMT-1/2 Rgd, 1/4 Hs
SSF-CS3/4-F1/2	FHS58CCP12	Hamon Side 5/16"-1/2 W/Push 3/4 EMT 1/2 Rgd
SSF-CS3/4-F1/4	FHS24CCP12	Ham On Side 1/8"-1/4 W/Push 3/4 EMT 1/2 Rgd
SSF-CS3/4-F3/4	FHS912CCP12	Hamon Side 9/16"-3/4 W/Push 3/4 EMT 1/2 Rgd
SSF-CS3/4-FB	NBCCP12	Nail Brk W/Conduit Push 3/4 EMT 1/2 Rgd
SSF-CS3/4-H1/2	FH58CCP12	Fing Ham On 5/16"-1/2 W/Push 3/4 EMT 1/2 Rgd
SSF-CS3/4-H1/4	FH24CCP12	Fing Ham On 1/8"-1/4 W/Push 3/4 EMT 1/2 Rgd
SSF-CS3/4-H3/4	FH912CCP12	Fing Ham On 9/16"-3/4 W/Push 1 EMT 3/4 Rgd
SSF-CS3/4-OB	ABCCP12	Angle Brk W/Conduit Push 3/4 EMT 1/2 Rgd
SSF-CS3/4-S1	CCP12CCP16	Cndt Push 3/4EMT 1/2Rgd W/Push 1EMT 3/4Rgd
SSF-CS3/4-S3/4	CCP12CCP12	Cndt Push 3/4EMT 1/2Rgd W/Push 3/4EMT 1/2Rgd
SSF-CUC	MFC	Multi-Function Clip
SSF-CUC-C1	MFC16	Multi-Function Clip W/ Conduit Clip 1"
SSF-CUC-C1 3/4	MFC812	Multi-Function Clip W/ Conduit Clip 1/2" - 3/4"
SSF-CUC-S1	MFCCCP16	Multi-Functn Clip W/Push 1 EMT 3/4 Rgd
SSF-CUC-S1/2	MFCCCP8	Multi-Functn Clip W/Cndt Push 1/2 EMT
SSF-CUC-S3/4	MFCCCP12	Multi-Functn Clip W/Push 3/4 EMT 1/2 Rgd
SSF-HA1/4-ABT	ABRH4T	Angle Bracket W/Rod Hanger Thread Install 1/4" Thread
SSF-HA1/4-F1/2T	FH58RH4T	Hammer-On 5/16" - 1/2" W/Rod Hanger Thread Install 1/4" Thread
SSF-HA1/4-F1/4T	FH24RH4T	Hammer-On 1/8" - 1/4" W/Rod Hanger Thread Install 1/4" Thread
SSF-HA1/4-F3/4T	FH912RH4T	Hammer-On 9/16" - 3/4" W/Rod Hanger Thread Install 1/4" Thread
SSF-HA1/4T	RHT4T	Rod Hanger Thread Install 1/4" Thread
SSF-HA3/8	RHT6	Rod Hanger Thread Install 13/32" Thru Hole
SSF-HA3/8-AB	ABRTH6	Angle Bracket W/Rod Hanger Thread Install 13/32" Thru Hole
SSF-HA3/8-ABT	ABRH6T	Angle Bracket W/Rod Hanger Thread Install 3/8" Thread
SSF-HA3/8-F1/2	FH58RH6	Hammer-On 5/16" - 1/2" W/Rod Hanger Thread Install 13/32" Thru Hole
SSF-HA3/8-F1/2T	FH58RH6T	Hammer-On 5/16" - 1/2" W/Rod Hanger Thread Install 3/8" Thread
SSF-HA3/8-F1/4	FH24RH6	Hammer-On 1/8" - 1/4" W/Rod Hanger Thread Install 13/32" Thru Hole
SSF-HA3/8-F1/4T	FH24RH6T	Hammer-On 1/8" - 1/4" W/Rod Hanger Thread Install 3/8" Thread
SSF-HA3/8-F3/4	FH912RH6	Hammer-On 9/16" - 3/4" W/Rod Hanger Thread Install 13/32" Thru Hole
SSF-HA3/8-F3/4T	FH912RH6T	Hammer-On 9/16" - 3/4" W/Rod Hanger Thread Install 3/8" Thread

Part Number Cross Reference

Part Number		Description
T & B	WESANCO	
SSF-HA ³ / ₈ T	RHT6T	Rod Hanger Thread Install ³ / ₈ " Thread
SSF-HB ¹ / ₄	RHP4	Rod Hanger Push Install ¹ / ₄ " Rod, #8 Wire
SSF-HB ¹ / ₄ -AB	ABRH4	Angle Bracket W/Rod Hanger Push Install ¹ / ₄ " Rod Or #8 Wire
SSF-HB ¹ / ₄ -F ¹ / ₂	FH58RHP4	Hammer-On ⁵ / ₁₆ " - ¹ / ₂ " W/Rod Hanger Push Install ¹ / ₄ " Rod Or #8 Wire
SSF-HB ¹ / ₄ -F ³ / ₄	FH24RHP4	Hammer-On ¹ / ₈ " - ³ / ₄ " W/Rod Hanger Push Install ¹ / ₄ " Rod Or #8 Wire
SSF-HB ¹ / ₄ -F ³ / ₄	FH912RHP4	Hammer-On ⁹ / ₁₆ " - ³ / ₄ " W/Rod Hanger Push Install ¹ / ₄ " Rod Or #8 Wire
SSF-HB ³ / ₈ -AB	ABRH6	Angle Bracket W/Rod Hanger Push Install ³ / ₈ " Rod
SSF-HB ³ / ₈ -F ¹ / ₂	FH58RHP6	Hammer-On ⁵ / ₁₆ " - ¹ / ₂ " W/Rod Hanger Push Install ³ / ₈ " Rod
SSF-HB ³ / ₈ -F ¹ / ₄	FH24RHP6	Hammer-On ¹ / ₈ " - ¹ / ₄ " W/Rod Hanger Push Install ³ / ₈ " Rod
SSF-HB ³ / ₈ -F ³ / ₄	FH912RHP6	Hammer-On ⁹ / ₁₆ " - ³ / ₄ " W/Rod Hanger Push Install ³ / ₈ " Rod
SSF-HB8	RHP4	Rod Hanger Push Install ¹ / ₄ " Rod, #8 Wire
SSF-HB8-AB	ABRH4	Angle Bracket W/Rod Hanger Push Install ¹ / ₄ " Rod Or #8 Wire
SSF-HR-F ¹ / ₂	FHS58SHR	Ham On Side ⁵ / ₁₆ - ¹ / ₂ " W/Strp Hngr Rgt Ang
SSF-HR-F ¹ / ₄	FHS24SHR	Ham On Side ¹ / ₈ - ¹ / ₄ " W/Strp Hngr Rght Ang
SSF-HR-F ³ / ₄	FHS912SHR	Ham On Side ⁹ / ₁₆ - ³ / ₄ " W/Strp Hngr Rgt Ang
SSF-HS-F ¹ / ₂	FHS58SHP	Ham On Side ⁵ / ₁₆ - ¹ / ₂ " W/Strp Hngr Paralel
SSF-HS-F ¹ / ₄	FHS24SHP	Ham On Side ¹ / ₈ - ¹ / ₄ " W/Strap Hngr Paralel
SSF-HS-F ³ / ₄	FHS912SHP	Ham On Side ⁹ / ₁₆ - ³ / ₄ " W/Strp Hngr Paralel
SSF-HSAB	AB04	Angle Bracket ¹ / ₄ " Holes
SSF-MPS	PSP2-6	Pipe Sleeve Positioner 2" To 6"
SSF-SAB-C ¹ / ₂ ³ / ₄	ABCC812	Angle Bracket W/ Conduit Clip ¹ / ₂ " - ³ / ₄ "
SSF-SC6	CSSTS	Cable Support Strap To Stud
SSF-SF-C1	MSCCC16	Metal Stud Clip W/Conduit Clip 1"
SSF-SF-C ¹ / ₂ ³ / ₄	MSCCC812	Metal Stud Clip W/Cnd Clip ¹ / ₂ - ³ / ₄ "
SSF-SF-S1	MSCCCP16	Metal Stud Clip W/Push 1 EMT ³ / ₄ Rgd
SSF-SF-S ¹ / ₂	MSCCCP8	Metal Stud Clip W/Cndt Push ¹ / ₂ EMT
SSF-SF-S ³ / ₄	MSCCCP12	Metal Stud Clip W/Push ³ / ₄ EMT ¹ / ₂ Rgd
SSF-SG16A	ZBA18PG	Box Bracket Adjustable 11" - 18"
SSF-SG24A	ZBA26PG	Box Bracket Adjustable 16" - 26"
SSF-SH2346	BC92037	Beam Clamp Malleable For ³ / ₈ " Rod
SSF-SLV	LVMP	Low Voltage Mounting Plate
SSF-SLV	LVMS	Low Voltage Mounting Plate W/Screws
SSF-SS ¹ / ₂ ³ / ₄	CTS812	Conduit Clip To Stud ¹ / ₂ " - ³ / ₄ " EMT MC/AC
SSF-T15T ⁵ / ₈	TCB16	Twist Clip Base ¹⁵ / ₁₆ " W/Stud
SSF-T15T ⁵ / ₈	TCS16	Twist Clip ¹⁵ / ₁₆ " W/Stud ¹ / ₄ " X ³ / ₄ " W/ Nut
SSF-TCH-C1	TBC2C16	T-Bar Clip W/ Conduit Clip 1" EMT Rigid
SSF-TCH-C ¹ / ₂ ³ / ₄	TBC2C812	T-Bar Clip W/ Conduit Clip ¹ / ₂ " - ³ / ₄ " EMT Rigid
SSF-TCH-S1	TBCTMCCP16	Tee Bar Clip Top Mt W/Push 1 EMT ³ / ₄ Rgd
SSF-TCH-S ¹ / ₂	TBCTMCCP8	Tee Bar Clip Top Mt W/Cndt Push ¹ / ₂ EMT
SSF-TCH-S ³ / ₄	TBCTMCCP12	Tee Bar Clip Top Mt W/Push ³ / ₄ EMT ¹ / ₂ Rgd
SSF-TCHT	TBC2	T-Bar Clip Bent
SSF-TCV-C1	TBC1C16	T-Bar Clip W/ Conduit Clip 1" EMT Rigid
SSF-TCV-C ¹ / ₂ ³ / ₄	TBC1C812	T-Bar Clip W/ Conduit Clip ¹ / ₂ " - ³ / ₄ " EMT Rigid
SSF-TCV-S1	TBCSMCCP16	Tee Bar Clip Side Mt W/Push 1 EMT ³ / ₄ Rgd

Part Number		Description
T & B	WESANCO	
SSF-TCV-S ¹ / ₂	TBCSMCCP8	Tee Bar Clip Side Mt W/Cndt Push ¹ / ₂ EMT
SSF-TCV-S ³ / ₄	TBCSMCCP12	Tee Bar Clip Side Mt W/Push ³ / ₄ EMT ¹ / ₂ Rgd
SSF-TCVT	TBC1	T-Bar Clip Straight
SSF-TFC	SCT15	Support Clip Trofer & Lay In Tee Grid
SSF-TH24	EBH24	Electrical Box Hanger Standard Duty 24" Span
SSF-THC	EBH	Electrical Box Hanger Standard Duty Center Clip W/Screw
SSF-TWN ¹ / ₄	TCW4	Twist Clip Wing Nut ¹ / ₄ "-20
SSF-VR 2B	BR2532	Threaded Bridle Ring, 2" Dia, ¹ / ₄ " Screw, Metal
SSF-VR1 ¹ / ₄ A	BR1020	Threaded Bridle Ring, 1- ¹ / ₄ " Dia, #10 Screw, Metal
SSF-VR1 ¹ / ₄ B	BR2520	Threaded Bridle Ring, 1- ¹ / ₄ " Dia, ¹ / ₄ " Screw, Metal
SSF-VR1 ¹ / ₄ D	BR2520WS	Threaded Bridle Ring, 1- ¹ / ₄ " Dia, ¹ / ₄ " Screw, Wood
SSF-VR ³ / ₄ A	BR1012	Threaded Bridle Ring, ³ / ₄ " Dia, #10 Screw, Metal
VN1	LVMN	Low Voltage Mounting Plate New Construction

Part Number Cross Reference

Part Number		Description
Minerallac	WESANCO	
500	BCL	Beam Clamp 1/16" Thru Hole
600	BC92025EG	Beam Clamp Malleable for 1/4" Rod EG
700	BC9025EG	Beam Clamp Malleable for 1/4" Rod EG
701	BC9037EG	Beam Clamp Malleable for 3/8" Rod EG
702	BC9050EG	Beam Clamp Malleable for 1/2" Rod EG
50050	BCLCCP8VM	Beam Clamp W/Cndt Push 1/2 EMT Vert Mnt
50075	BCLCCP12VM	Beam Clamp W/Push 3/4 EMT 1/2 Rgd Vert Mnt
500100	BCLCCP16VM	Beam Clamp W/Push 1 EMT 3/4 Rgd Vert Mnt
0SB	PCH0	Pipe and Conduit Hanger 3/8" and 1/2"
1202CF BA	AB04	Angle Bracket 1/4" Holes
1SB	PCH1	Pipe and Conduit Hanger 3/4"
2-1/2SB	PCH2.5	Pipe and Conduit Hanger 1-1/4" EMT
2SB	PCH2	Pipe and Conduit Hanger 1"
3SB	PCH3	Pipe and Conduit Hanger 1-1/4"
4SB	PCH4	Pipe and Conduit Hanger 1-1/2"
50050B	BCLCCP8HM	Beam Clmp W/Cndt Push 1/2 EMT Horz Mount
50075B	BCLCCP12HM	Beam Clmp W/Push 3/4 EMT 1/2 Rgd Horz Mount
500KC1	BCC16VM	Beam Clamp with Conduit Clip 1" Vertical Mount
500KC112	BCC24VM	Beam Clamp with Conduit Clip 1-1/2" Vertical Mount
500KC112B	BCC24HM	Beam Clamp with Conduit Clip 1-1/2" Horiz. Mount
500KC114	BCC20CM	Beam Clamp with Conduit Clip 1-1/4" Vertical Mount
500KC114B	BCC20HM	Beam Clamp with Conduit Clip 1-1/4" Horiz. Mount
500KC1234	BCC812VM	Beam Clamp with Conduit Clip 1/2" - 3/4" Vertical Mount
500KC1234B	BCC812HM	Beam Clamp with Conduit Clip 1/2" - 3/4" Horiz. Mount
500KC1B	BCC16HM	Beam Clamp with Conduit Clip 1" Horiz. Mount
500KC2	BCC32VM	Beam Clamp with Conduit Clip 2" Vertical Mount
500KC2B	BCC32HM	Beam Clamp with Conduit Clip 2" Horiz. Mount
50100B	BCLCCP16HM	Beam Clmp W/Push 1 EMT 3/4 Rgd Horz Mount
5SB	PCH5	Pipe and Conduit Hanger 2"
648R	BR2532	Threaded Bridle Ring, 2" dia, 1/4" Screw, Metal
648RW	BR2532WS	Threaded Bridle Ring, 2" dia, 1/4" Screw, Wood
6SB	PCH6	Pipe and Conduit Hanger 2-1/2"
7SB	PCH7	Pipe and Conduit Hanger 3"
9SB	PCH9	Pipe and Conduit Hanger 4"
ABC25	FHZ	Flange Hanger - "Z" Purlin
APS	MFC	Multi-Function Clip
APS100	MFCCCP16	Multi-Functn Clip W/Push 1 EMT 3/4 Rgd
APS50	MFCCCP8	Multi-Functn Clip W/Cndt Push 1/2 EMT
APS75	MFCCCP12	Multi-Functn Clip W/Push 3/4 EMT 1/2 Rgd

Part Number		Description
Minerallac	WESANCO	
APSKC1	MFC16	Multi-Function Clip with Conduit Clip 1"
APSKC1234	MFC812	Multi-Function Clip with Conduit Clip 1/2" - 3/4"
BA50	ABCCP8	Angle Bracket W/Conduit Push 1/2" EMT
BA75	ABCCP12	Angle Brk W/Conduit Push 3/4" EMT 1/2" Rgd
BAKC1234	ABCC812	Angle Bracket with Conduit Clip 1/2" - 3/4"
BBC	EBH	Electrical Box Hanger Standard Duty Center Clip w/ Screw
BC18	FCH24	Flange Clip Hammer-on 1/8" - 1/4" Flange
BC18100	FH24CCP16	Fing Ham On 1/8-1/4" W/Push 1" EMT 3/4" Rgd
BC1850	FH24CCP8	Fing Ham On 1/8-1/4" W/Cndt Push 1/2 EMT
BC1875	FH24CCP12	Fing Ham On 1/8-1/4" W/Push 3/4" EMT 1/2" Rgd
BC18KC1	FH24CC16	Flange Hammer-on 1/8" - 1/4" with Conduit Clip 1"
BC18KC112	FH24CC24	Flange Hammer-on 1/8" - 1/4" w/Conduit Clip 1-1/2"
BC18KC114	FH23CC20	Flange Hammer-on 1/8" - 1/4" w/Conduit Clip 1-1/4"
BC18KC1234	FH24CC812	Flange Hammer-on 1/8" - 1/4" with Conduit Clip 1/2" - 3/4"
BC18KC2	FH24CC32	Flange Hammer-on 1/8" - 1/4" with Conduit Clip 2"
BC18ST	FCH24S	Flange Hammer-on 1/8" - 1/4" w/Stud
BC516	FCH58	Flange Clip Hammer-on 5/16" - 1/2" Flange
BC516100	FH58CCP16	Fing Ham On 5/16-1/2" W/Push 1" EMT 3/4" Rgd
BC51650	FH58CCP8	Fing Ham On 5/16-1/2" W/Cndt Push 1/2 EMT
BC51675	FH58CCP12	Fing Ham On 5/16-1/2" W/Push 3/4" EMT 1/2" Rgd
BC516KC1	FH58CC16	Flange Hammer-on 5/16" - 1/2" with Conduit Clip 1"
BC516KC112	FH58CC24	Flange Hammer-on 5/16" - 1/2" w/Conduit Clip 1-1/2"
BC516KC114	FH58CC20	Flange Hammer-on 5/16" - 1/2" w/Conduit Clip 1-1/4"
BC516KC1234	FH58CC812	Flange Hammer-on 5/16" - 1/2" with Conduit Clip 1/2" - 3/4"
BC516KC2	FH58CC32	Flange Hammer-on 5/16" - 1/2" with Conduit Clip 2"
BC516ST	FCH58S	Flange Hammer-on 5/16" - 1/2" w/Stud
BC916	FCH912	Flange Clip Hammer-on 9/16" - 3/4" Flange
BC916KC1	FH912CC16	Flange Hammer-on 9/16" - 3/4" with Conduit Clip 1"
BC916KC112	FH912CC24	Flange Hammer-on 9/16" - 3/4" w/Conduit Clip 1-1/2"
BC916KC114	FH912CC20	Flange Hammer-on 9/16" - 3/4" w/ Conduit Clip 1-1/4"
BC916KC1234	FH912CC812	Flange Hammer-on 9/16" - 3/4" w/Conduit Clip 1/2" - 3/4"
BC916KC2	FH912CC32	Flange Hammer-on 9/16" - 3/4" with Conduit Clip 2"
BC916ST	FCH912S	Flange Hammer-on 9/16" - 3/4" w/Stud
BCUBM25EG	BC91025EG	Beam Clamp Malleable for 1/4" Rod EG
BCUM37EG	BC8037EG	Beam Clamp Malleable for 3/8" Rod EG
BCUM37PL	BC8037PL	Beam Clamp Malleable for 3/8" Rod Plain
BCUM50EG	BC8050EG	Beam Clamp Malleable for 1/2" Rod EG

Part Number Cross Reference

Part Number		Description
Minerallac	WESANCO	
BCUM50PL	BC8050PL	Beam Clamp Malleable for 1/2" Rod Plain
BCUM62EG	BC8062EG	Beam Clamp Malleable for 5/8" Rod EG
BCUM62PL	BC8062PL	Beam Clamp Malleable for 5/8" Rod Plain
BCUM75EG	BC8075EG	Beam Clamp Malleable for 3/4" Rod EG
BCUM75PL	BC8075PL	Beam Clamp Malleable for 3/4" Rod Plain
BCUMW37EG	BC81037EG	Beam Clamp Malleable for 3/8" Rod EG
BCUMW37PL	BC81037PL	Beam Clamp Malleable for 3/8" Rod Plain
BCUMW50EG	BC81050EG	Beam Clamp Malleable for 1/2" Rod EG
BCUMW50PL	BC81050PL	Beam Clamp Malleable for 1/2" Rod Plain
BCUMW62EG	BC81062EG	Beam Clamp Malleable for 5/8" Rod EG
BCUMW62PL	BC81062PL	Beam Clamp Malleable for 5/8" Rod Plain
BMB16T	ZBA18PG	Box Bracket Adjustable 11" - 18"
BMB24T	ZBA26PG	Box Bracket Adjustable 16" - 26"
BXC	CCMS	Cable Clip MC/AC to Metal Stud
CS1234	CTS812	Conduit Clip to Stud 1/2" - 3/4" EMT MC/AC
F2D	CFC2D	Cable To Flg 1/16"-3/16"- MC/AC .46-.56 OD
F4D	CFC4D	Cable To Flg 3/16"-9/32"- MC/AC .46-.56 OD
F4E	CFC4E	Cable To Flg 3/16"-9/32"- MC/AC .50-.72 OD
F8D	CFC8D	Cable To Flg 5/16"-1/2"- MC/AC .46-.56 OD
F8E	CFC8E	Cable To Flg 5/16"-1/2"- MC/AC .50-.72 OD
FBO23HD	BC92037	Beam Clamp Malleable for 3/8" Rod
FCWS6	CSSTS	Cable Support Strap to Stud
FS1	WC8	Wing Clip 1/2" to Rod or Flange
FS2	WC12	Wing Clip 3/4" to Rod or Flange
FS3	WC16	Wing Clip 1" to Rod or Flange
FS4	WC20	Wing Clip 1-1/4" to Rod or Flange
FSBX	WCBW	Wing Clip MC/AC or Wire
FT	SCT15	Support Clip Trofer & Lay In Tee Grid
HIC100	CCP16	Conduit Push In, 1" EMT 3/4" Rgd, 1/4" Hs
HIC50	CCP8	Conduit Push In, 1/2" EMT, 1/4" Mtg Hole
HIC5050	CCP8CCP8	Cndt Push 1/2" EMT W/Cndt Push 1/2" EMT
HIC5075	CCP8CCP12	Cndt Push 1/2" EMT W/Push 3/4" EMT 1/2" Rgd
HIC75	CCP12	Conduit Push In, 3/4 EMT-1/2 Rgd, 1/4 Hs
HIC7575	CCP12CCP12	Cndt Push 3/4" EMT 1/2" Rgd W/Push 3/4" emt 1/2" rgd
KC1	CC16	Conduit Clip 1" with Thru Hole
KC112	CC20	Conduit Clip 1-1/4" with Thru Hole
KC112T	CCT20	Conduit Clip 1-1/4" with Threaded Hole
KC114	CC24	Conduit Clip 1-1/2" with Thru Hole

Part Number		Description
Minerallac	WESANCO	
KC114T	CCT24	Conduit Clip 1-1/2" with Threaded Hole
KC1234	CC812	Conduit Clip 1/2" - 3/4" with Thru Hole
KC1234T	CCT812	Conduit Clip 1/2" - 3/4" with Threaded Hole
KC1KC1	CC16CC16	1" Conduit Clip w/1" Conduit Clip
KC1KC112	CC16CC24	1" Conduit Clip w/1-1/2" Conduit Clip
KC1KC114	CC16CC20	1" Conduit Clip w/1-1/4" Conduit Clip
KC1KC1234	CC16CC812	1" Conduit Clip w/1/2" - 3/4" Conduit Clip
KC1KC2	CC16CC32	1" Conduit Clip w/2" Conduit Clip
KC1T	CCT16	Conduit Clip 1" with Threaded Hole
KC2	CC32	Conduit Clip 2" with Thru Hole
KC2T	CCT32	Conduit Clip 2" with Threaded Hole
L1701	FHV4	Flange Hanger - Vertical Long, Bar Joist
PSF18	FHS24SHP	Ham On Side 1/8"-1/4 W/Strap Hngr Paralel
PSF18R	FHS24SHR	Ham On Side 1/8"-1/4 W/Strp Hngr Rght Ang
PSF516	FHS58SHP	Ham On Side 5/16"-1/2 W/Strp Hngr Paralel
PSF516R	FHS58SHR	Ham On Side 5/16"-1/2 W/Strp Hngr Rght Ang
PSF916	FHS912SHP	Ham On Side 9/16"-3/4 W/Strp Hngr Paralel
PSF916R	FHS912SHR	Ham On Side 9/16"-3/4 W/Strp Hngr Rght Ang
R1438N	RHT6	Rod Hanger Thread Install 13/32" Thru Hole
R14T	RHT4T	Rod Hanger Thread Install 1/4" Thread
R1814	FH24RHP4	Hammer-on 1/8" - 1/4" w/Rod Hanger Push Install 1/4" Rod or #8 Wire
R181438N	FH24RH6	Hammer-on 1/8" - 1/4" w/Rod Hanger Thread Install 13/32" Thru Hole
R1814T	FH24RH4T	Hammer-on 1/8" - 1/4" w/Rod Hanger Thread Install 1/4" Thread
R1838	FH24RHP6	Hammer-on 1/8" - 1/4" w/Rod Hanger Push Install 3/8" Rod
R1838T	FH24RH6T	Hammer-on 1/8" - 1/4" w/Rod Hanger Thread Install 3/8" Thread
R38T	RHT6T	Rod Hanger Thread Install 3/8" Thread
R51614	FH58RHP4	Hammer-on 5/16" - 1/2" w/Rod Hanger Push Install 1/4" Rod or #8 Wire
R5161438N	FH58RH6	Hammer-on 5/16" - 1/2" w/Rod Hanger Thread Install 13/32" Thru Hole
R51614T	FH58RH4T	Hammer-on 5/16" - 1/2" w/Rod Hanger Thread Install 1/4" Thread
R51638	FH58RHP6	Hammer-on 5/16" - 1/2" w/Rod Hanger Push Install 3/8" Rod
R51638T	FH58RH6T	Hammer-on 5/16" - 1/2" w/Rod Hanger Thread Install 3/8" Thread
R91614	FH912RHP4	Hammer-on 9/16" - 3/4" w/Rod Hanger Push Install 1/4" Rod or #8 Wire

Part Number Cross Reference

Part Number		Description
Minerallac	WESANCO	
R9161438N	FH912RH6	Hammer-on 5/16" - 3/4" w/Rod Hanger Thread Install 1 1/2" Thru Hole
R91614T	FH912RH4T	Hammer-on 5/16" - 3/4" w/Rod Hanger Thread Install 1/4" Thread
R91638	FH912RHP6	Hammer-on 5/16" - 3/4" w/Rod Hanger Push Install 3/8" Rod
R91638T	FH912RH6T	Hammer-on 5/16" - 3/4" w/Rod Hanger Thread Install 3/8" Thread
RA14	ABRH4	Angle Bracket w/Rod Hanger Push Install 1/4" Rod or #8 Wire
RA1438N	ABRTH6	Angle Bracket w/Rod Hanger Thread Install 1 1/2" Thru Hole
RA14T	ABRH4T	Angle Bracket w/Rod Hanger Thread Install 1/4" Thread
RA38	RHP6	Rod Hanger Push Install 3/8" Rod
RA38	ABRH6	Angle Bracket w/Rod Hanger Push Install 3/8" Rod
RA38T	ABRH6T	Angle Bracket w/Rod Hanger Thread Install 3/8" Thread
RF53214T	FHV3RH4T	Flange Hanger V Standard w/Rod Hanger Thread Install 1/4" Thread
RF53238T	FHV3RH6T	Flange Hanger V Standard w/Rod Hanger Thread Install 3/8" Thread
RO14	RHP4	Rod Hanger Push Install 1/4" Rod, #8 Wire
SB100	MSCCCP16	Metal Stud Clip W/Push 1" EMT 3/4" Rgd
SB50	MSCCCP8	Metal Stud Clip W/Cndt Push 1/2" EMT
SB75	MSCCCP12	Metal Stud Clip W/Push 3/4" EMT 1/2" Rgd
SBKC1	MSCCC16	Metal Stud Clip W/Conduit Clip 1"
SBKC1234	MSCCC812	Metal Stud Clip W/Cnd Clip 1/2" - 3/4"
SCT3	TCS16	Twist Clip 1 5/16" w/Stud 1/4" X 3/4" with nut
SFC18	FSM24	Hammer-on Mount 1/8" - 1/4"
SFC18100	FHS24CCP16	Ham On Side 1/8"-1/4" W/Push 1" EMT 3/4" Rgd
SFC1850	FHS24CCP8	Ham On Side 1/8"-1/4" W/Cndt Push 1/2" EMT
SFC1875	FHS24CCP12	Ham On Side 1/8"-1/4" W/Push 3/4" EMT 1/2" Rgd
SFC18KC1	FHS24CC16	Hammer-on Mount 1/8" - 1/4" with Conduit Clip 1"
SFC18KC112	FHS24CC24	Hammer-on 1/8" - 1/4" with Conduit Clip 1-1/2"
SFC18KC114	FHS24CC20	Hammer-on 1/8" - 1/4" with Conduit Clip 1-1/4"
SFC18KC1234	FHS24CC812	Hammer-on 1/8" - 1/4" with Conduit Clip 1/2" - 3/4"
SFC18KC2	FHS24CC32	Hammer-on Mount 1/8" - 1/4" with Conduit Clip 2"
SFC516	FSM58	Hammer-on Mount 5/16" - 1/2"
SFC516KC1	FHS58CC16	Hammer-on Mount 5/16" - 1/2" with Conduit Clip 1"
SFC516KC112	FHS58CC24	Hammer-on 5/16" - 1/2" with Conduit Clip 1-1/2"
SFC516KC114	FHS58CC20	Hammer-on 5/16" - 1/2" with Conduit Clip 1-1/4"
SFC516KC1234	FHS58CC812	Hammer-on 5/16" - 1/2" with Conduit Clip 1/2" - 3/4"


Part Number		Description
Minerallac	WESANCO	
SFC516KC2	FHS58CC32	Hammer-on Mount 5/16" - 1/2" with Conduit Clip 2"
SFC916	FSM912	Hammer-on Mount 9/16" - 3/4"
SFC916KC1	FHS912CC16	Hammer-on Mount 9/16" - 3/4" with Conduit Clip 1"
SFC916KC112	FHS912CC24	Hammer-on 9/16" - 3/4" with Conduit Clip 1-1/2"
SFC916KC114	FHS912CC20	Hammer-on 9/16" - 3/4" with Conduit Clip 1-1/4"
SFC916KC1234	FHS912CC812	Hammer-on 9/16" - 3/4" with Conduit Clip 1/2" - 3/4"
SFC916KC2	FHS912CC32	Hammer-on Mount 9/16" - 3/4" with Conduit Clip 2"
TB100	TBCTMCCP16	Tee Bar Clip Top Mt W/Push 1" EMT 3/4" Rgd
TB50	TBCTMCCP8	Tee Bar Clip Top Mt W/Cndt Push 1/2" EMT
TB75	TBCTMCCP12	Tee Bar Clip Top Mt W/Push 3/4" EMT 1/2" Rgd
TBAR	EBH24	Electrical Box Hanger Standard Duty 24" SPAN
TBKC1	TBC2C16	T-Bar Clip with Conduit Clip 1" EMT RIGID
TBKC1234	TBC2C812	T-Bar Clip with Conduit Clip 1/2" - 3/4" EMT RIGID
TBT Threaded	TBC2	T-Bar Clip Bent
TS100	TBCSMCCP16	Tee Bar Clip Side Mt W/Push 1" EMT 3/4" Rgd
TS50	TBCSMCCP8	Tee Bar Clip Side Mt W/Cndt Push 1/2" EMT
TS75	TBCSMCCP12	Tee Bar Clip Side Mt W/Push 3/4" EMT 1/2" Rgd
TSKC1	TBC1C16	T-Bar Clip with Conduit Clip 1" EMT RIGID
TSKC1234	TBC1C812	T-Bar Clip with Conduit Clip 1/2" - 3/4" EMT RIGID
TST Threaded	TBC1	T-Bar Clip Straight
VBC25	FHV3	Flange Hanger - Vertical Standard ("C" Purlin)
WBF1	LVMS	Low Voltage Mounting plate w/Screws

The Wesanco Silva-Guard Finish

Superior Corrosion Resistance

The Wesanco Silva-Guard finish provides one of the highest levels of corrosion resistance for spring steel fasteners available on the market. Wesanco Silva-Guard coating is extremely consistent providing a finish that combines superior appearance and outstanding protection.

This aesthetically pleasing appearance is particularly important for installations in highly visible areas, such as open ceilings.

SG Finish is  Listed for indoor, outdoor, wet, and dry applications.

Innovative Three Step Coating System

The Wesanco Silva-Guard finish is a three step coating system that is RoHS, WEEE, and ELV compliant.

- The first step is surface preparation involving a process designed to improve the coating adhesion.
- The second step is a base coat designed to self-heal from nicks and scratches as well as sacrifice itself instead of the fastener base material.
- The third step is a topcoat designed to be an additional protective barrier.

Material & Finish Specifications

All listed materials and finishes are RoHS compliant.

Spring Steel:

Cold Roll, ASTM A684 Grade 1055 Spring Steel

Carbon Steel: ASTM A1011-00 SS GR 33 or ASTM A1011-00CS Type B

304 Stainless Steel: ASTM A240 (Type 304)

316 Stainless Steel: ASTM A240 (Type 316)

316 Stainless Steel Nuts: ASTM A276-03

Aluminum: ASTM B209 (Type 5052-H32)

SG – Wesanco Silva-Guard

Wesanco Silva-Guard coating is a multi-step process that meets the 1000 hour salt spray test per ASTM B117 and DIN 50021. **Silva-Guard coating is WEEE, ELV and RoHS compliant.** SG Finish is approved for outdoor as well as indoor applications. It is a chrome free duplex coating system that combines an inorganic zinc-rich basecoat with an aluminum-rich organic topcoat.

PG – Pre-galvanized Zinc

ASTM A653 G-90 Pre-galvanized zinc is produced by continuously rolling steel coils or sheets through molten zinc at the mills. The coils or sheets are slit to size and fabricated by forming, shearing or punching to produce the finished product. During fabrication cut edges are not generally zinc coated; however, the zinc near the uncoated metal becomes a sacrificial anode to protect the bare areas.

EG – Electroplated Zinc or Electro-Galvanized

This coating is standard for most Wesanco products. Electro-Galvanized products meet ASTM B633 SC1 or SC3, Type III. Electroplating deposits zinc on the surface of the steel by electrolysis from a bath of zinc salts. The thickness of zinc applied in this method is between 0.2 mils to 0.5 mils [5.1 µm to 12.7 µm].

Note: Specifications subject to change without notice.

Note: See Wesanco General Engineering Catalog for additional information.

Model Number.....	Page	Model Number.....	Page
AB	15	FHV CC	9
AB C	16	FHZ	12
AB CCP	16	FSM	11
ABR	17	FVZ	12
ABR T	17	FVZ RH	14
ABSHP	20	FVZ RT	15
BBSM	21	LVMN	22
BC92	19	LVMP	23
BCC	6	LVMS	22
BCL	19	MFC	6
BCL CCP	7	MFC	12
BR	10	MFCCCP	6
CC CC	10	MSC CC CCP	23
CC/CCT	4	NB C	16
CCMS	25	NB CCP	16
CCP	4	PCH	5
CCP CCP	10	PSP, FSM	18
CFC	9	RHP	13
CSSTS	24	RHT	13
CTS	24	SCT	26
EBH	27	SDTSLP8X1/2	25
FCH	11	SILVER CLAW	18
FH C	7	TB C	28
FH CCP	8	TBC	27
FH P	13	TBC SMCCP	28
FH RHT	14	TBC TMCCP	28
FHS C	8	TCB, TCS	26
FHS CCP	9	WC/WCBW	5
FHS SH	20	ZBA Z-BRACKET	21

Part Number Index



Part Number	Page	Part Number	Page	Part Number	Page	Part Number	Page
AB04	15	CCT16	4	FH912RHP6	13	MFC16	6
AB06	15	CCT20	4	FHS24CC16	8	MFC812	6
ABCC812	16	CCT24	4	FHS24CC20	8	MFCCCP12	6
ABCCP12	16	CCT32	4	FHS24CC24	8	MFCCCP16	6
ABCCP8	16	CCT812	4	FHS24CC32	8	MFCCCP8	6
ABRH4	17	CFC2D	9	FHS24CC812	8	MFCS	12
ABRH4T	17	CFC4D	9	FHS24CCP12	9	MSCCC16	23
ABRH6	17	CFC4E	9	FHS24CCP16	9	MSCCC20	23
ABRH6T	17	CFC8D	9	FHS24CCP8	9	MSCCC8-12	23
ABRTH6	17	CFC8E	9	FHS24SHP	20	MSCCCP12	23
ABSHP	20	CSSTS	24	FHS24SHR	20	MSCCCP16	23
BBSM	21	CTS812	24	FHS58CC16	8	MSCCCP8	23
BC92025EG	19	EBH	27	FHS58CC20	8	NBCC812	16
BC92037EG	19	EBH24	27	FHS58CC24	8	NBCCP12	16
BCC16HM	6	FCH24	11	FHS58CC32	8	NBCCP8	16
BCC16VM	6	FCH24S	11	FHS58CC812	8	PCH0	5
BCC20CM	6	FCH58	11	FHS58CCP12	9	PCH1	5
BCC20HM	6	FCH58S	11	FHS58CCP16	9	PCH2	5
BCC24HM	6	FCH912	11	FHS58CCP8	9	PCH2.5	5
BCC24VM	6	FCH912S	11	FHS58SHP	20	PCH3	5
BCC32HM	6	FH23CC20	7	FHS58SHR	20	PCH4	5
BCC32VM	6	FH24CC16	7	FHS912CC16	8	PCH5	5
BCC812HM	6	FH24CC24	7	FHS912CC20	8	PCH6	5
BCC812VM	6	FH24CC32	7	FHS912CC24	8	PCH7	5
BCL	19	FH24CC812	7	FHS912CC32	8	PCH8	5
BCLCCP12HM	7	FH24CCP12	8	FHS912CC812	8	PCH9	5
BCLCCP12VM	7	FH24CCP16	8	FHS912CCP12	9	PSP2-6	18
BCLCCP16HM	7	FH24CCP8	8	FHS912CCP16	9	PSPA	18
BCLCCP16VM	7	FH24RH4T	14	FHS912CCP8	9	RHP4	13
BCLCCP8HM	7	FH24RH6	14	FHS912SHP	20	RHP6	13
BCLCCP8VM	7	FH24RH6T	14	FHS912SHR	20	RHT4T	13
BR1012	10	FH24RHP4	13	FHV3	12	RHT6	13
BR1020	10	FH24RHP6	13	FHV3CC16	9	RHT6T	13
BR1032	10	FH58CC16	7	FHV3CC812	9	SCL037EG	18
BR2520	10	FH58CC20	7	FHV3RH4	14	SCT15	26
BR2520WS	10	FH58CC24	7	FHV3RH4T	15	TBC1	27
BR2532	10	FH58CC32	7	FHV3RH6	14	TBC1C16	28
BR2532WS	10	FH58CC812	7	FHV3RH6	15	TBC1C812	28
CC16	4	FH58CCP12	8	FHV3RH6T	15	TBC2	27
CC16CC16	10	FH58CCP16	8	FHV4	12	TBC2C16	28
CC16CC20	10	FH58CCP8	8	FHV4RH4	14	TBC2C812	28
CC16CC24	10	FH58RH4T	14	FHV4RH4T	15	TBCSMCCP12	28
CC16CC32	10	FH58RH6	14	FHV4RH6	14	TBCSMCCP16	28
CC16CC812	10	FH58RH6T	14	FHV4RH6	15	TBCSMCCP8	28
CC20	4	FH58RHP4	13	FHV4RH6T	15	TBCTMCCP12	28
CC24	4	FH58RHP6	13	FHZ	12	TBCTMCCP16	28
CC32	4	FH912CC16	7	FHZRH4	14	TBCTMCCP8	28
CC812	4	FH912CC20	7	FHZRH4T	15	TCB16	26
CCMS	25	FH912CC24	7	FHZRH6	14	TCS16	26
CCP12	4	FH912CC32	7	FHZRH6T	15	TCW4	26
CCP12CCP12	10	FH912CC812	7	FHZRTH6	15	WC12	5
CCP12CCP16	10	FH912CCP12	8	FSM24	11	WC16	5
CCP16	4	FH912CCP16	8	FSM58	11, 18	WC20	5
CCP16CCP16	10	FH912CCP8	8	FSM912	11, 18	WC8	5
CCP8	4	FH912RH4T	14	LVMN	22	WCBW	5
CCP8CCP12	10	FH912RH6	14	LVMP	23	ZBA18PG	21
CCP8CCP16	10	FH912RH6T	14	LVMS	22	ZBA26PG	21
CCP8CCP8	10	FH912RHP4	13	MFC	12		

Electrical Positioning and Support Products

